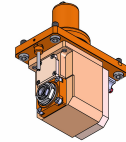
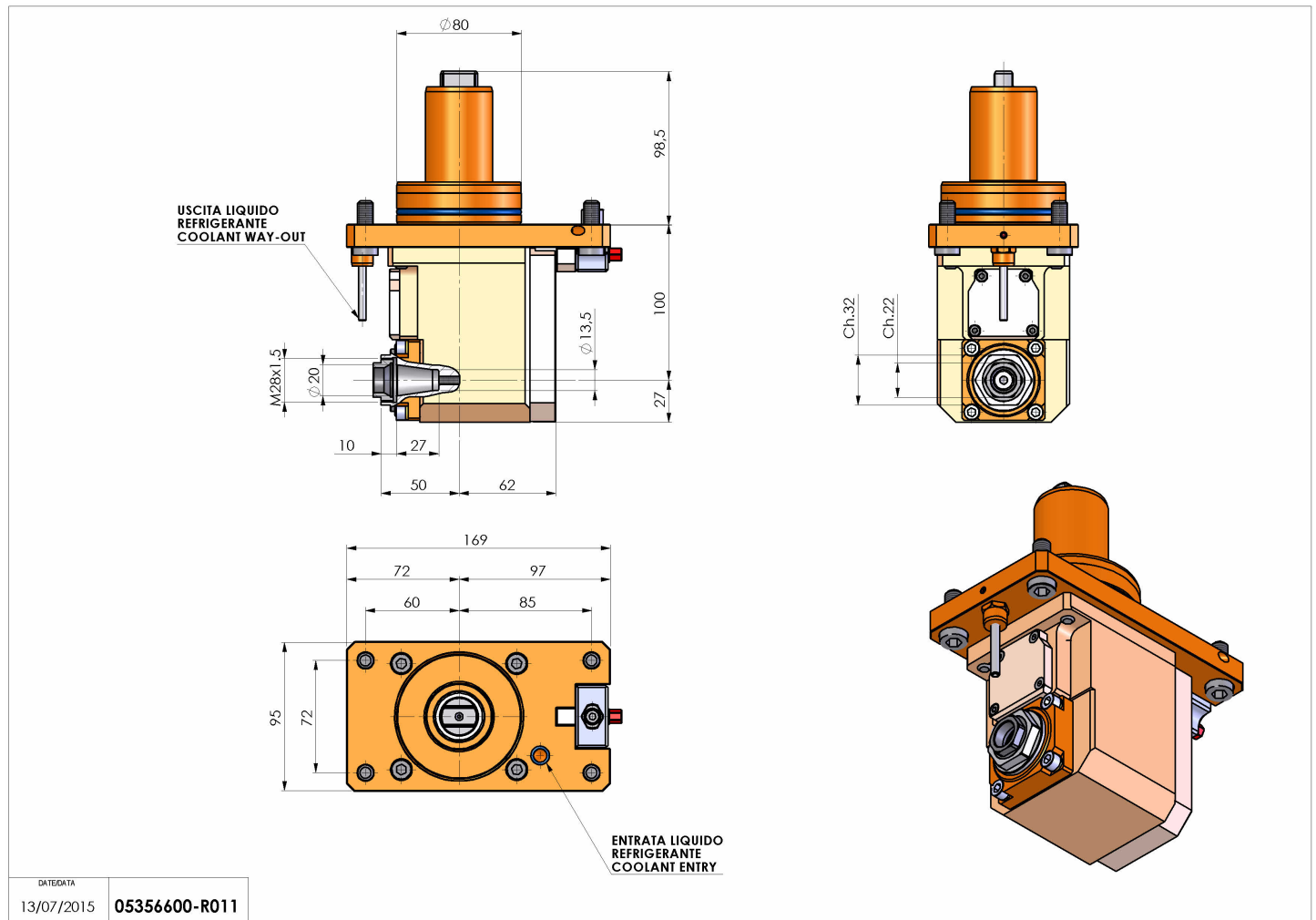


05356600 - LT-A D80 ER20F H100 1:2 MZ

| | |
|------------------------------|--|
| Type | LT-A Tool holder angle 90° |
| Mounting | CYLINDRICAL SHANK 80 |
| Tool output | Collet nut ER 20 F - internal nut |
| Coolant | External coolant |
| Direction of rotation | r1 ↻ r2 ↻ |
| Max speed [rpm] | in 6000 / out 12000 |
| Max torque [Nm] | in 50 / out 25 |
| Ratio | 1:2 |
| H [mm] | 100 |
| H1 [mm] | 27 |
| Accessories | N.A. |
| Notes | N.A. |
| Mounting tips | Not suitable for every application, please check |



Always check live tool dimensions on the turret



| | |
|------------|---------------|
| DATE/DATE | 05356600-R011 |
| 13/07/2015 | |

Subject to technical changes