


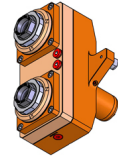


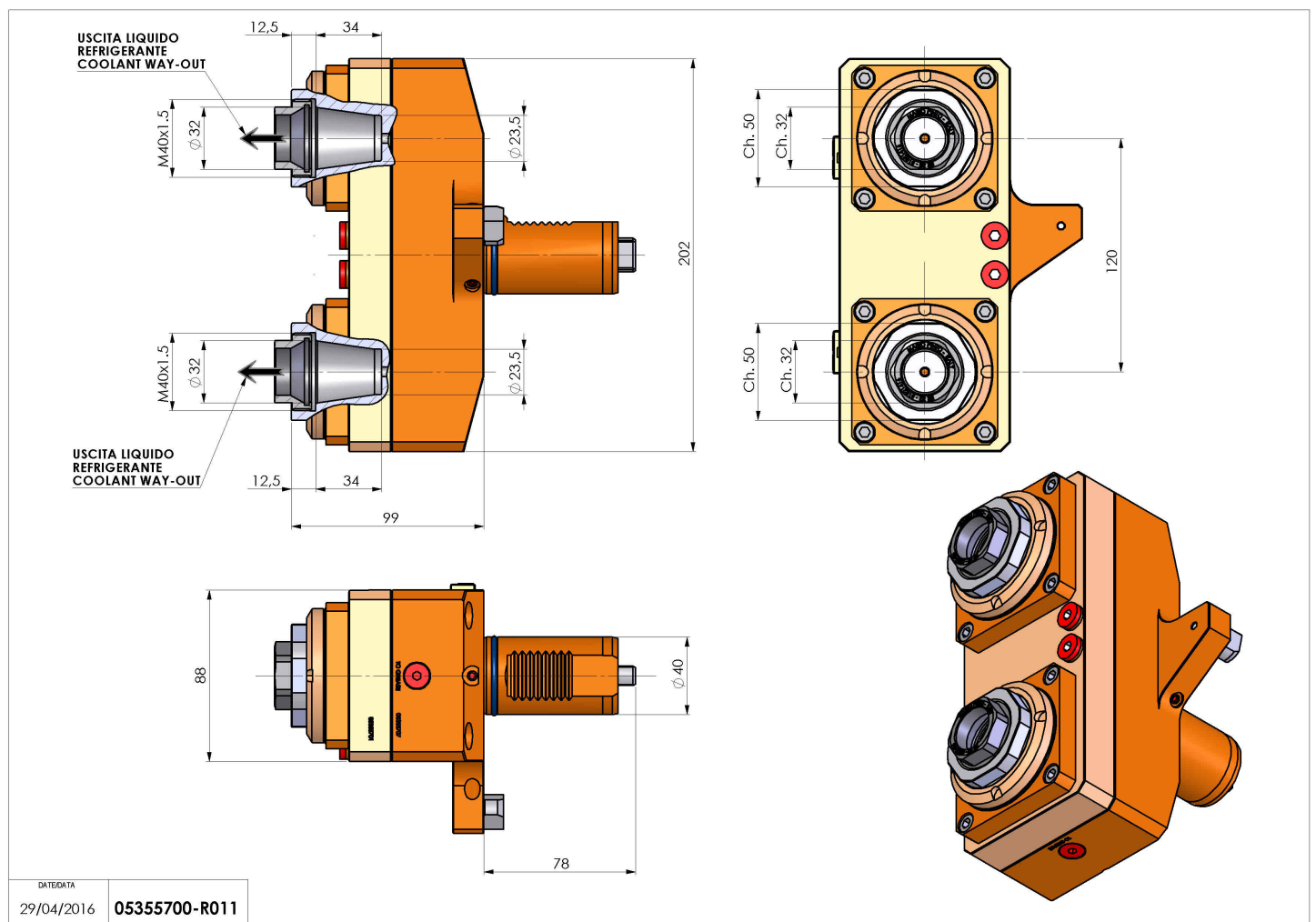
05355700 - LT-S2 VDI40 ER32F HRF H99 MZ

Type	LT SPECIALE Custom tool holder
Mounting	VDI 40
Tool output	Collet nut ER 32 F - internal nut
Coolant	HP Internal coolant
Direction of rotation	r1  r2  r3 
Max speed [rpm]	6000
Max torque [Nm]	63
Ratio	1:1
H [mm]	99
Max pressure [bar]	80
Accessories	N.A.
Notes	N.A.
Mounting tips	Not suitable for every application, please check



ATTENZIONE: VERIFICARE L'ORIENTAMENTO DELLA DENTATURA VDI

Always check live tool dimensions on the turret



Subject to technical changes