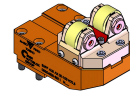
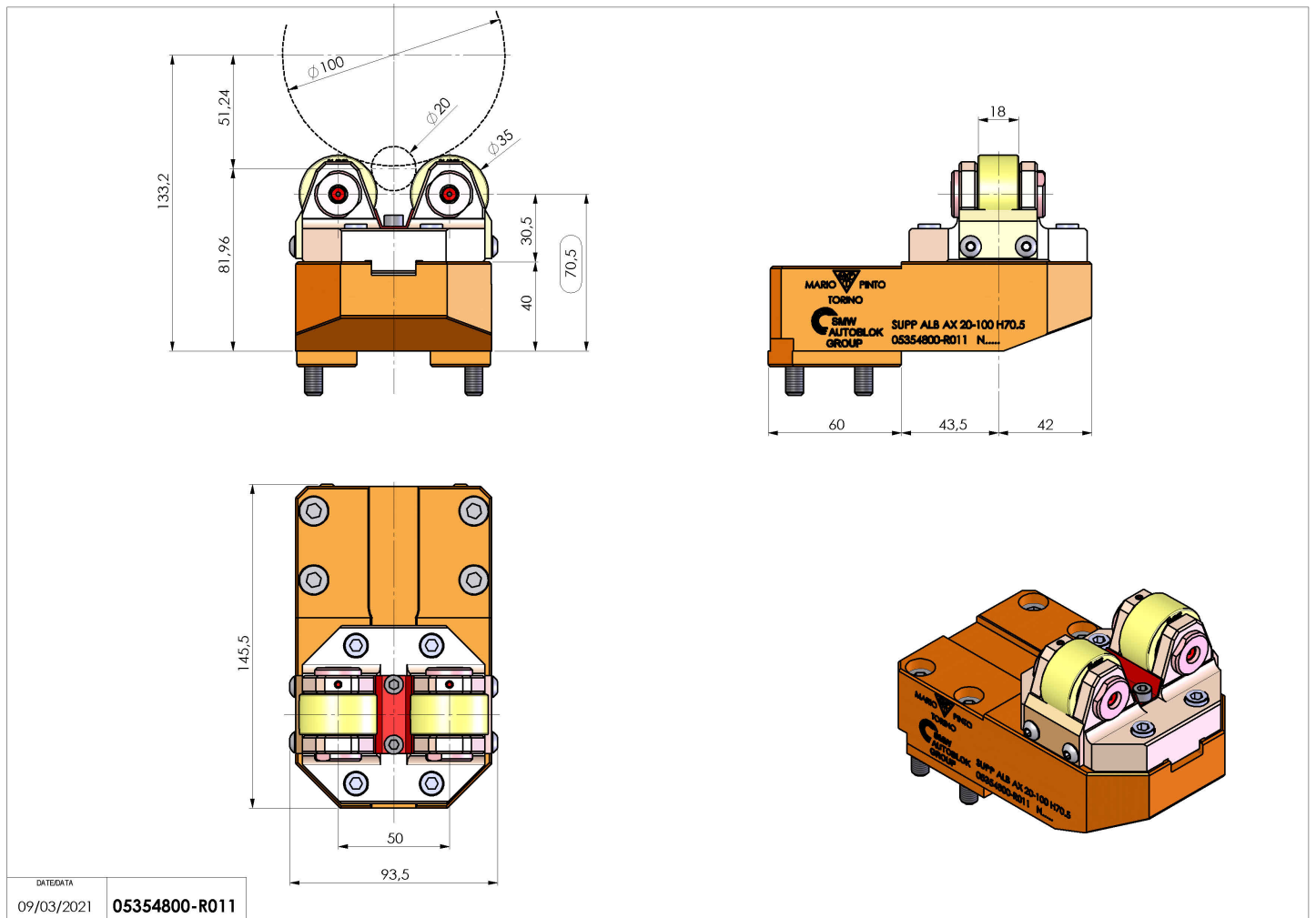


## 05354800 - SUPP ALB AX 20-100 H70,5

<b>Type</b>	SHAFT SUPPORT Shaft support
<b>Mounting</b>	CYLINDRICAL SHANK 40
<b>Tool output</b>	Shaft support Ø20-Ø100
<b>Coolant</b>	N.A.
<b>H [mm]</b>	70.5
<b>Ø Min [mm]</b>	20
<b>Ø Max [mm]</b>	100
<b>Accessories</b>	N.A.
<b>Notes</b>	N.A.
<b>Mounting tips</b>	Not suitable for every application, please check



Always check live tool dimensions on the turret



Subject to technical changes