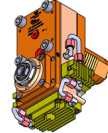


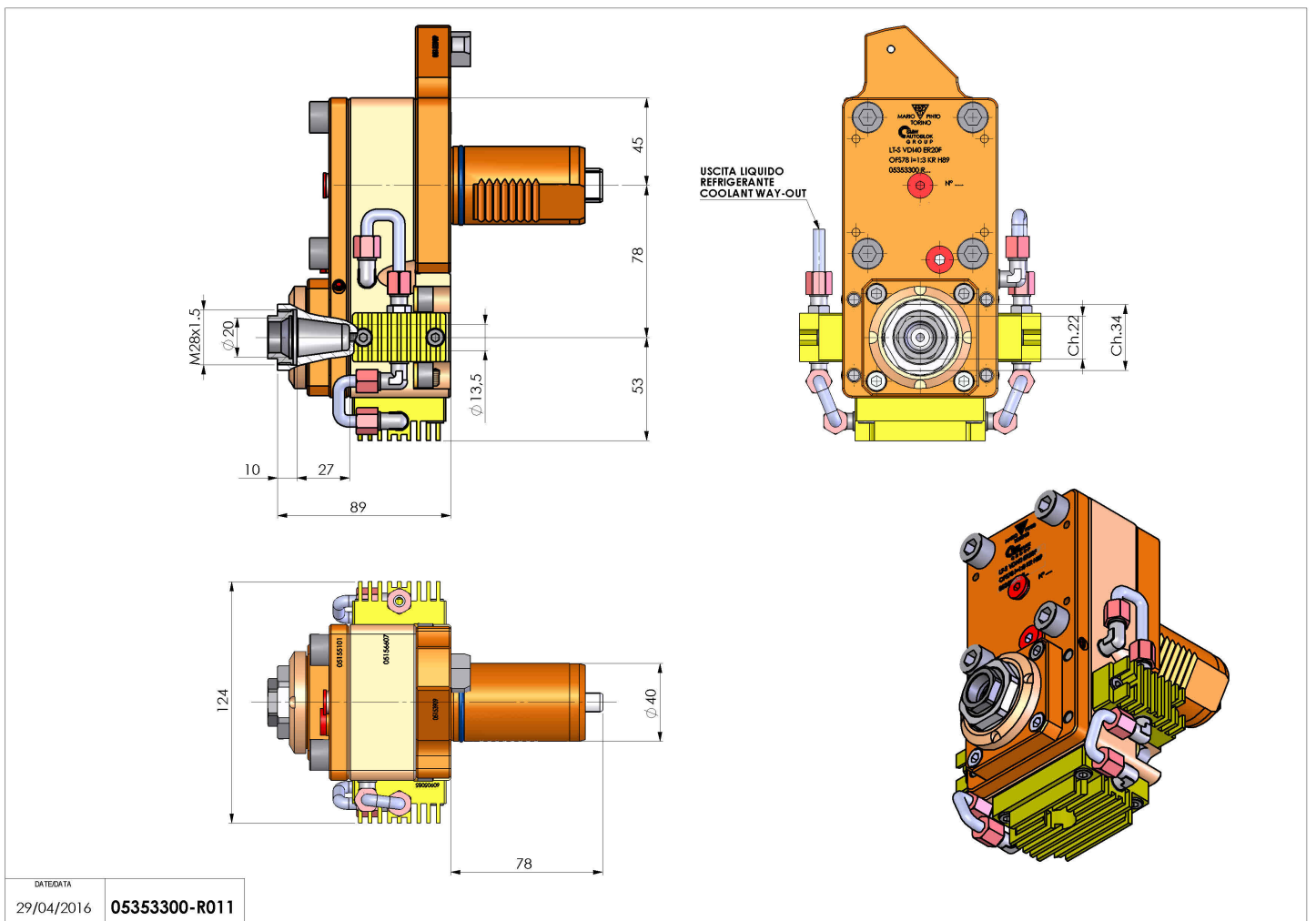
05353300 - LT-SVDI40ER20FOFS78 1:3KRH88MZ

| | |
|-----------------------|--|
| Type | LT-S OFS Tool holder straight offset |
| Mounting | VDI 40 |
| Tool output | Collet nut ER 20 F - internal nut |
| Coolant | External coolant |
| Offset [mm] | 78 |
| Direction of rotation | r1 ↻ r2 ↻ |
| Max speed [rpm] | in 5000 / out 15000 |
| Max torque [Nm] | in 50 / out 14 |
| Ratio | 1:3 |
| H [mm] | 89 |
| Accessories | N.A. |
| Notes | N.A. |
| Mounting tips | Not suitable for every application, please check |



ATTENZIONE: VERIFICARE L'ORIENTAMENTO DELLA DENTATURA VDI

Always check live tool dimensions on the turret



| | |
|------------|---------------|
| DATE/DATE | 05353300-R011 |
| 29/04/2016 | |

Subject to technical changes