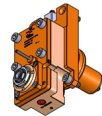
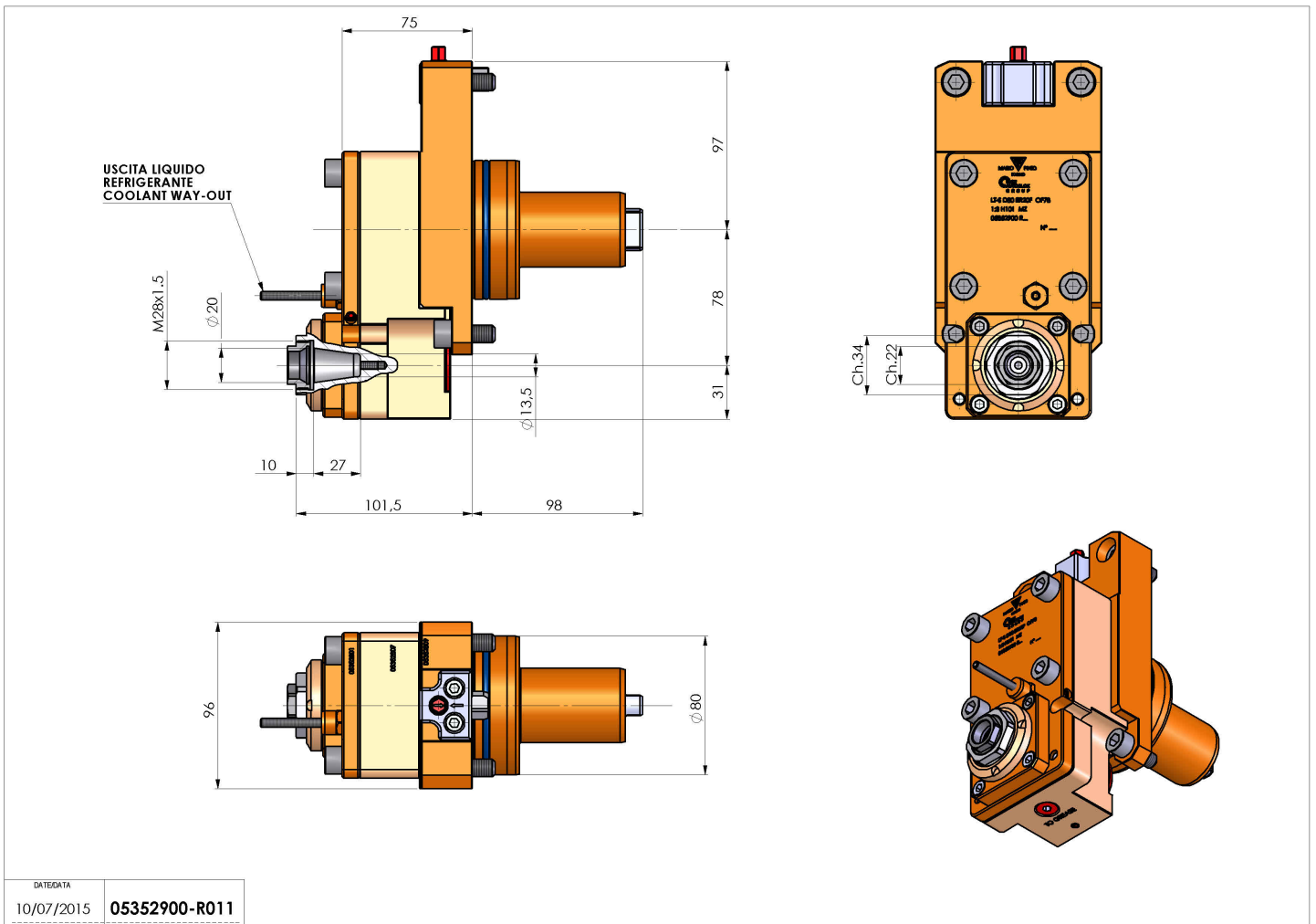


# 05352900 - LT-S D80 ER20F OF78 1:3 H101MZ

<b>Type</b>	LT-S OFS Tool holder straight offset
<b>Mounting</b>	CYLINDRICAL SHANK 80
<b>Tool output</b>	Collet nut ER 20 F - internal nut
<b>Coolant</b>	External coolant
<b>Offset [mm]</b>	78
<b>Direction of rotation</b>	r1 ↻ r2 ↻
<b>Max speed [rpm]</b>	in 5000 / out 15000
<b>Max torque [Nm]</b>	in 50 / out 14
<b>Ratio</b>	1:3
<b>H [mm]</b>	101,5
<b>Accessories</b>	N.A.
<b>Notes</b>	N.A.
<b>Mounting tips</b>	Not suitable for every application, please check



Always check live tool dimensions on the turret



DATE/DATE	10/07/2015	05352900-R011
-----------	------------	---------------

Subject to technical changes