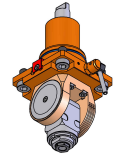
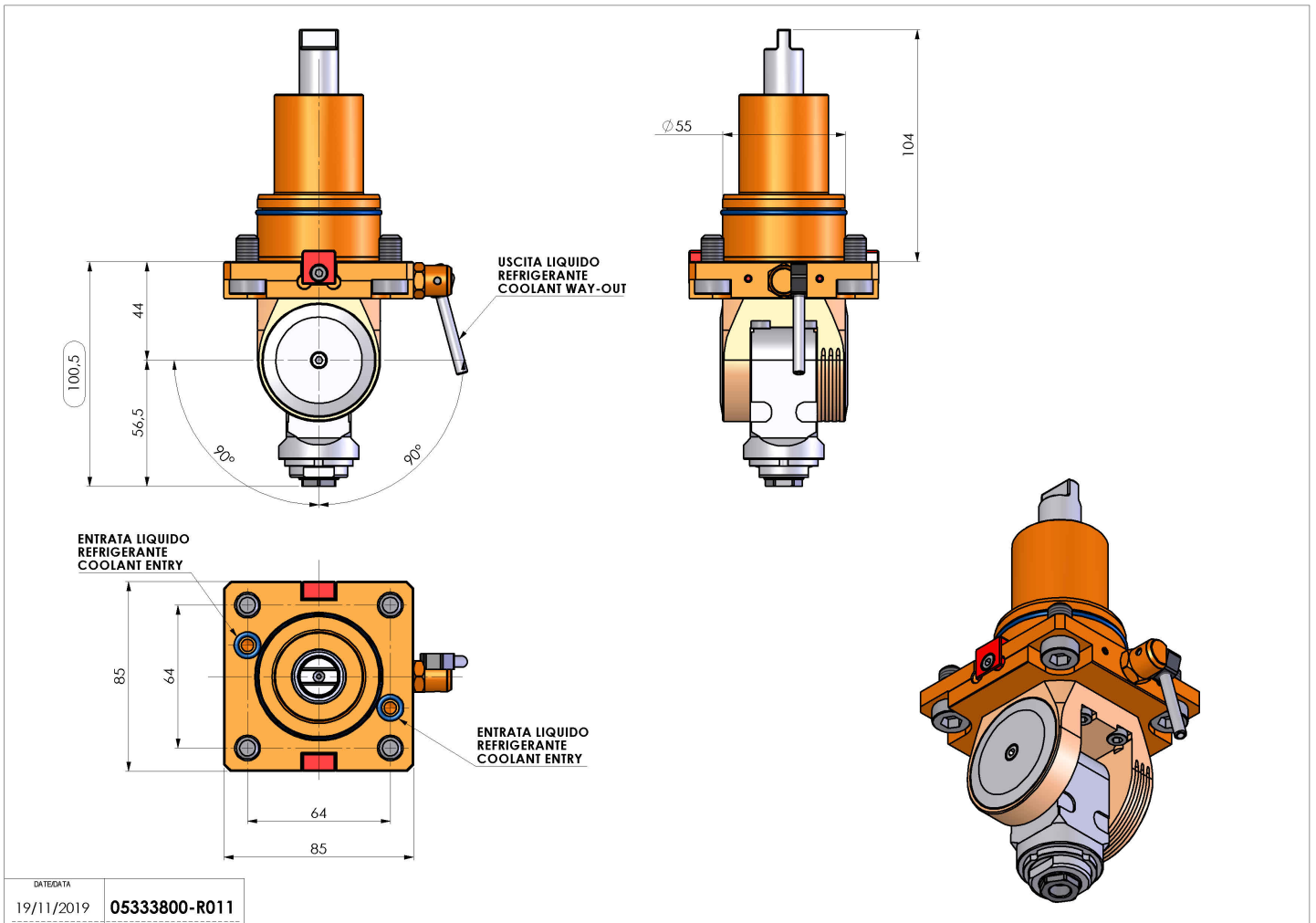


## 05333800 - LT-T BMT55 ER11F H44-100

<b>Type</b>	LT-T Tool holder tiltable
<b>Mounting</b>	BMT 55
<b>Tool output</b>	Collet nut ER 11 F
<b>Coolant</b>	External coolant
<b>Direction of rotation</b>	r1  r2
<b>Max speed [rpm]</b>	6000
<b>Max torque [Nm]</b>	13
<b>Ratio</b>	1:1
<b>H [mm]</b>	44-100
<b>Accessories</b>	N.A.
<b>Notes</b>	N.A.
<b>Mounting tips</b>	Not suitable for every application, please check



Always check live tool dimensions on the turret



Subject to technical changes