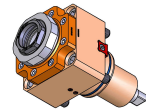
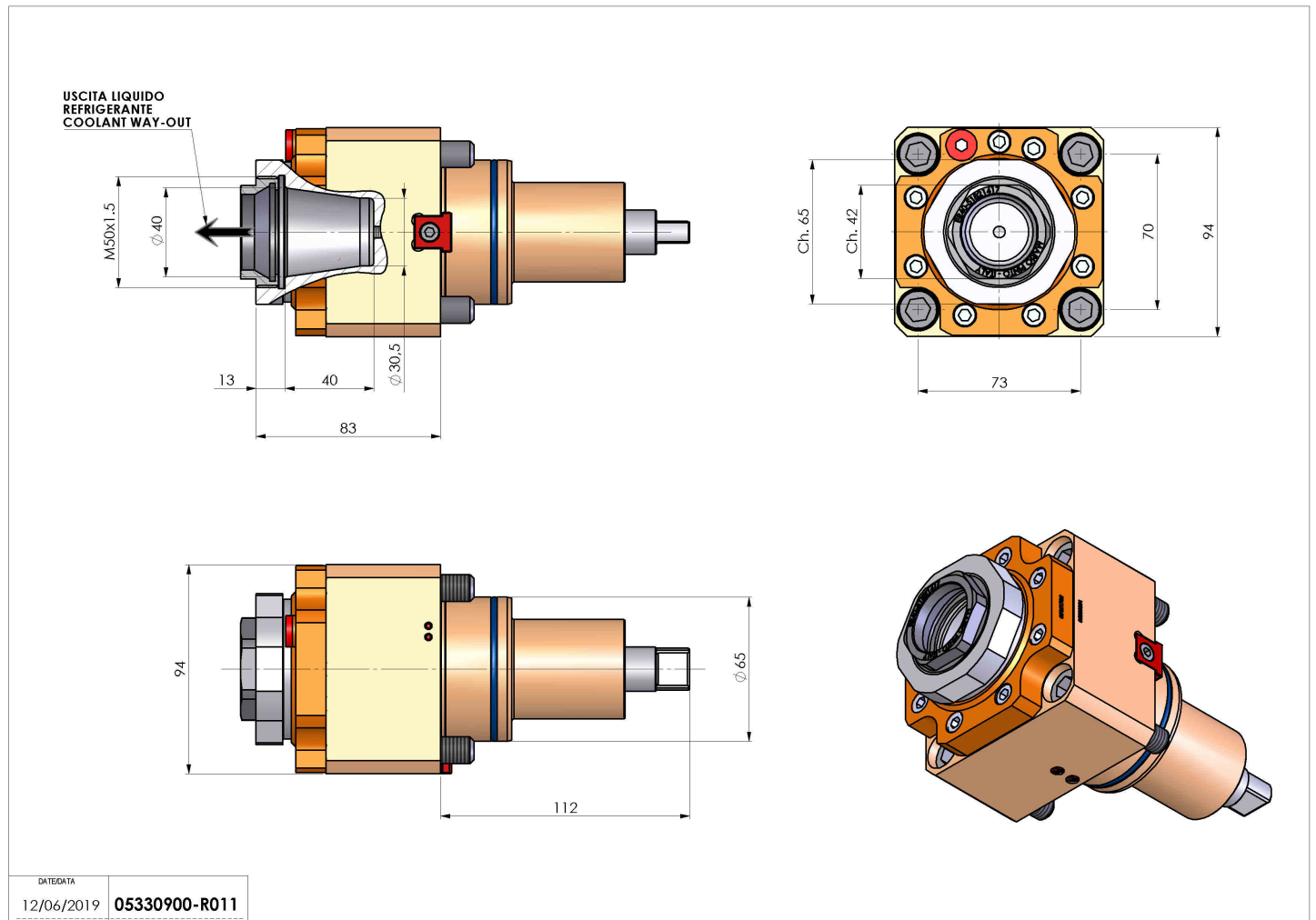


05330900 - LT-S BMT65 ER40F HRF H83

Type	LT-S Tool holder straight
Mounting	BMT 65
Tool output	Collet nut ER 40 F - internal nut
Coolant	HP Internal coolant
Direction of rotation	r1 r2
Max speed [rpm]	6000
Max torque [Nm]	70
Ratio	1:1
H [mm]	83
Max pressure [bar]	70
Accessories	N.A.
Notes	N.A.
Mounting tips	Not suitable for every application, please check



Always check live tool dimensions on the turret



DATE/DATE	12/06/2019
PART NUMBER	05330900-R011

Subject to technical changes