
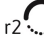
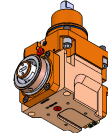
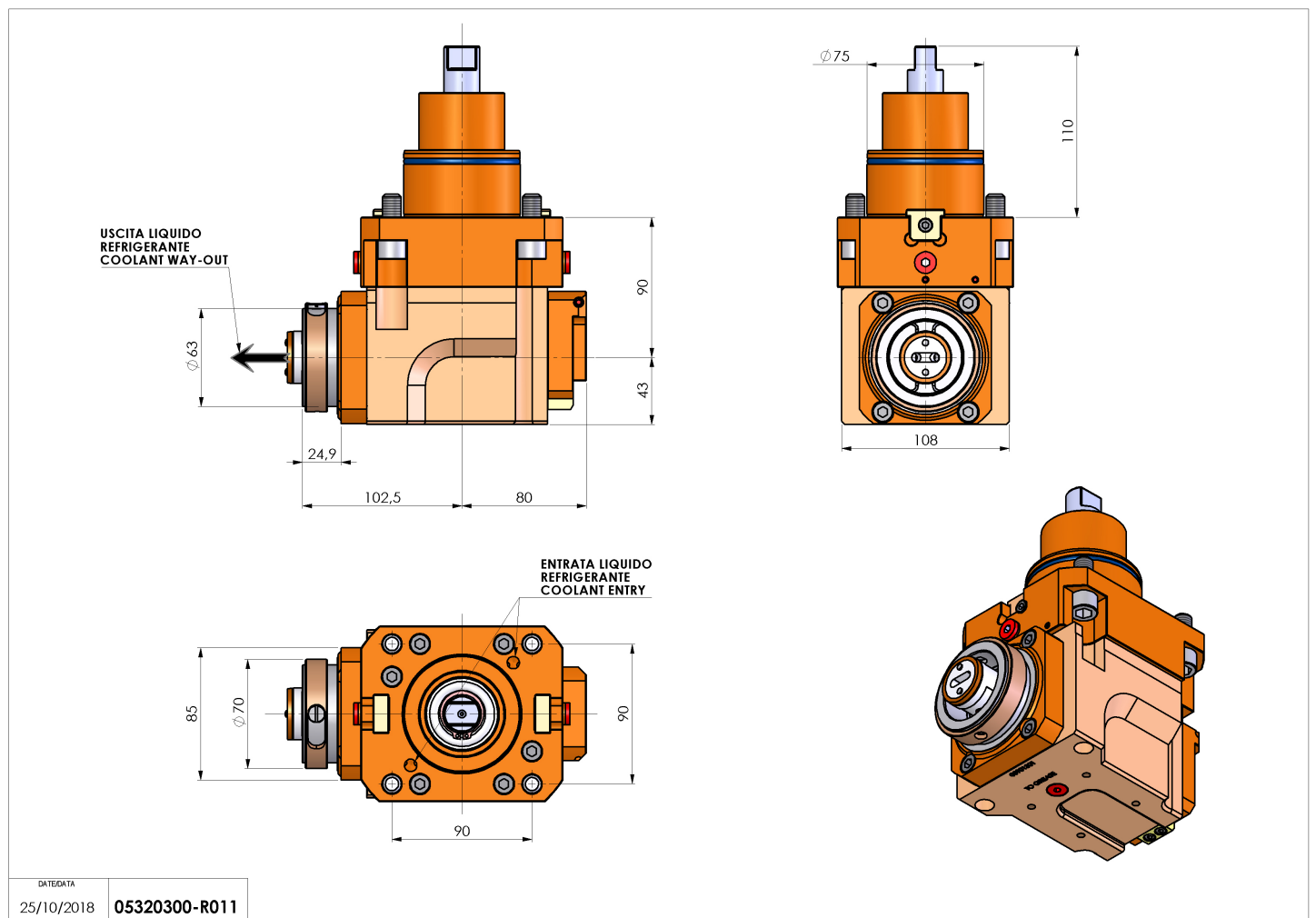


05320300 - LT-A BMT75 HSK63 LR HS HRF H90

| | |
|------------------------------|---|
| Type | LT-A Tool holder angle 90° |
| Mounting | BMT 75 |
| Tool output | Quick Change HSK63 |
| Coolant | HP Internal coolant |
| Direction of rotation | r1  r2  |
| Max speed [rpm] | 4000 |
| Max torque [Nm] | 80 |
| Ratio | 1:1 |
| H [mm] | 90 |
| H1 [mm] | 43 |
| Max pressure [bar] | 80 |
| Accessories | N.A. |
| Notes | N.A. |
| Mounting tips | Not suitable for every application, please check |



Always check live tool dimensions on the turret



DATE/DATE
25/10/2018 05320300-R011

Subject to technical changes