

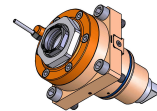
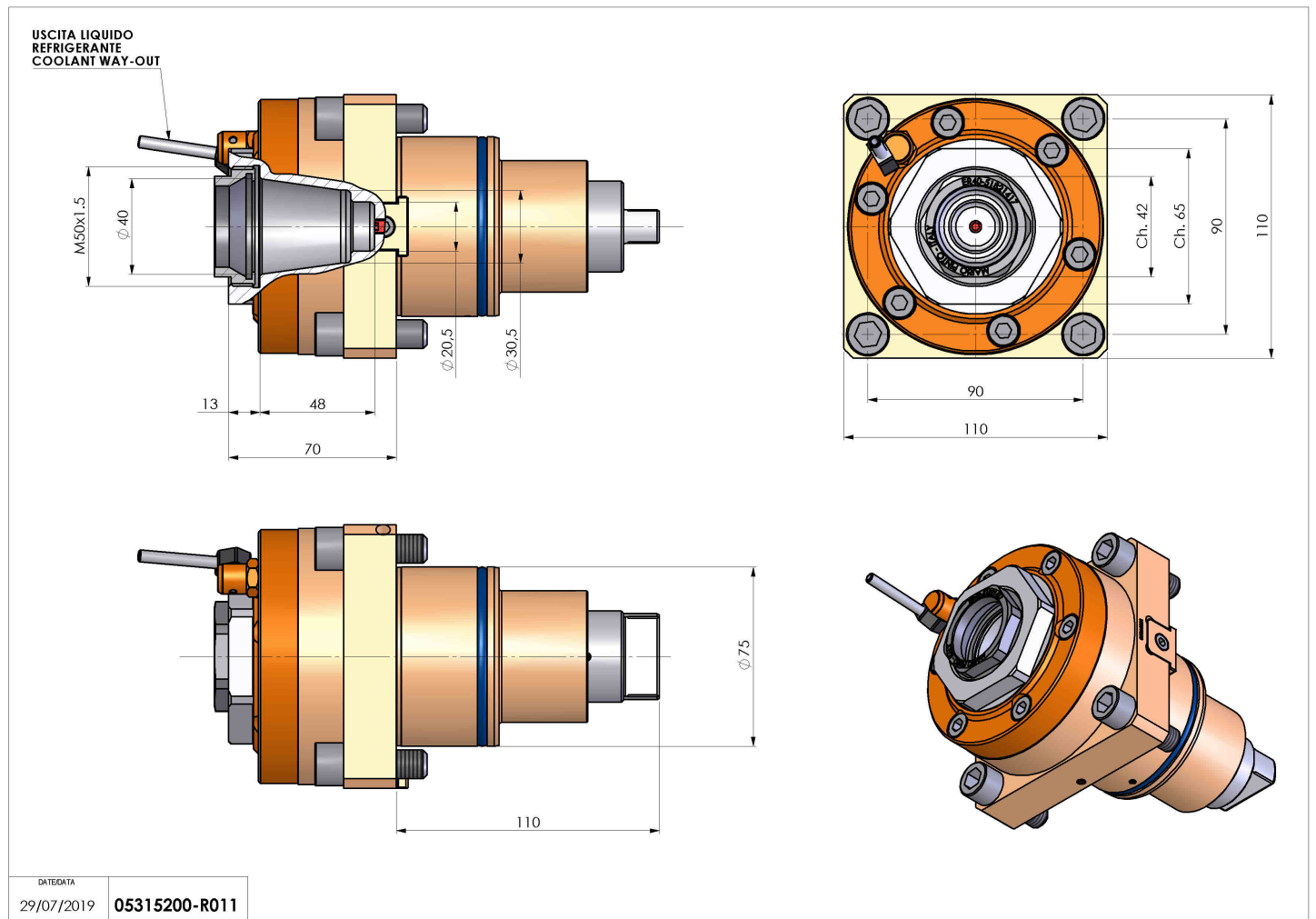


05315200 - LT-S BMT75 BD ER40F H70

| | |
|------------------------------|---|
| Type | LT-S Tool holder straight |
| Mounting | BMT 75 BIG DRIVE |
| Tool output | Collet nut ER 40 F - internal nut |
| Coolant | External coolant |
| Direction of rotation | r1  r2  |
| Max speed [rpm] | 4000 |
| Max torque [Nm] | 100 |
| Ratio | 1:1 |
| H [mm] | 70 |
| Accessories | N.A. |
| Notes | N.A. |
| Mounting tips | Not suitable for every application, please check |



Always check live tool dimensions on the turret



Subject to technical changes