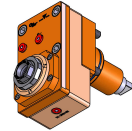
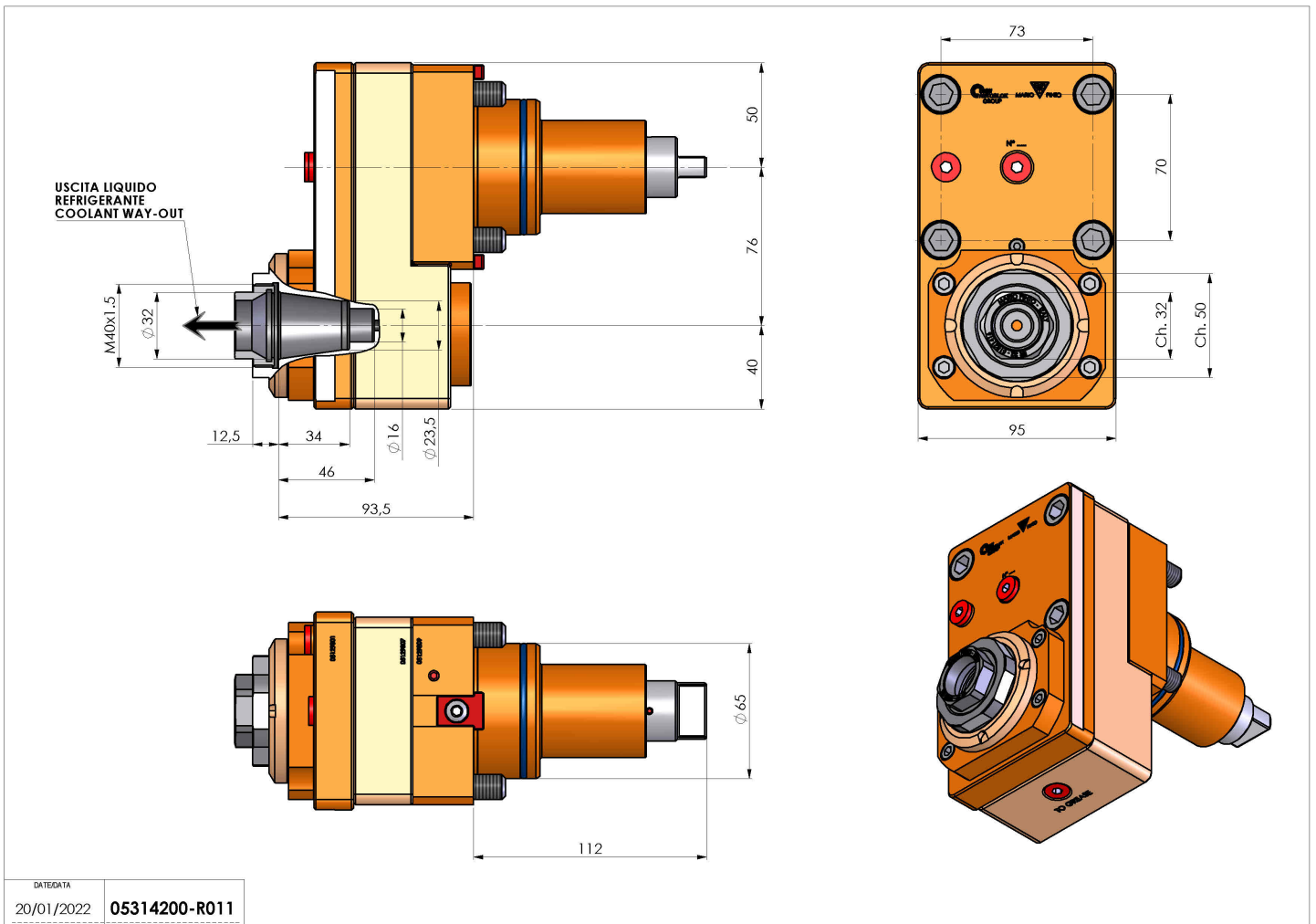


## 05314200 - LT-S BMT65 BD ER32F OFS76 RF LR H106

|                              |  |
|------------------------------|--|
| <b>Type</b>                  | LT-S OFS<br>Tool holder straight offset          |
| <b>Mounting</b>              | BMT 65 BIG DRIVE                                 |
| <b>Tool output</b>           | Collet nut ER 32 F - internal nut                |
| <b>Coolant</b>               | Internal coolant                                 |
| <b>Offset [mm]</b>           | 76   |
| <b>Direction of rotation</b> | r1  r2   |
| <b>Max speed [rpm]</b>       | 6000   |
| <b>Max torque [Nm]</b>       | 63   |
| <b>Ratio</b>                 | 1:1  |
| <b>H [mm]</b>                | 106  |
| <b>Accessories</b>           | N.A.   |
| <b>Notes</b>                 | N.A.   |
| <b>Mounting tips</b>         | Not suitable for every application, please check |



Always check live tool dimensions on the turret



Subject to technical changes