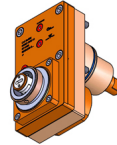
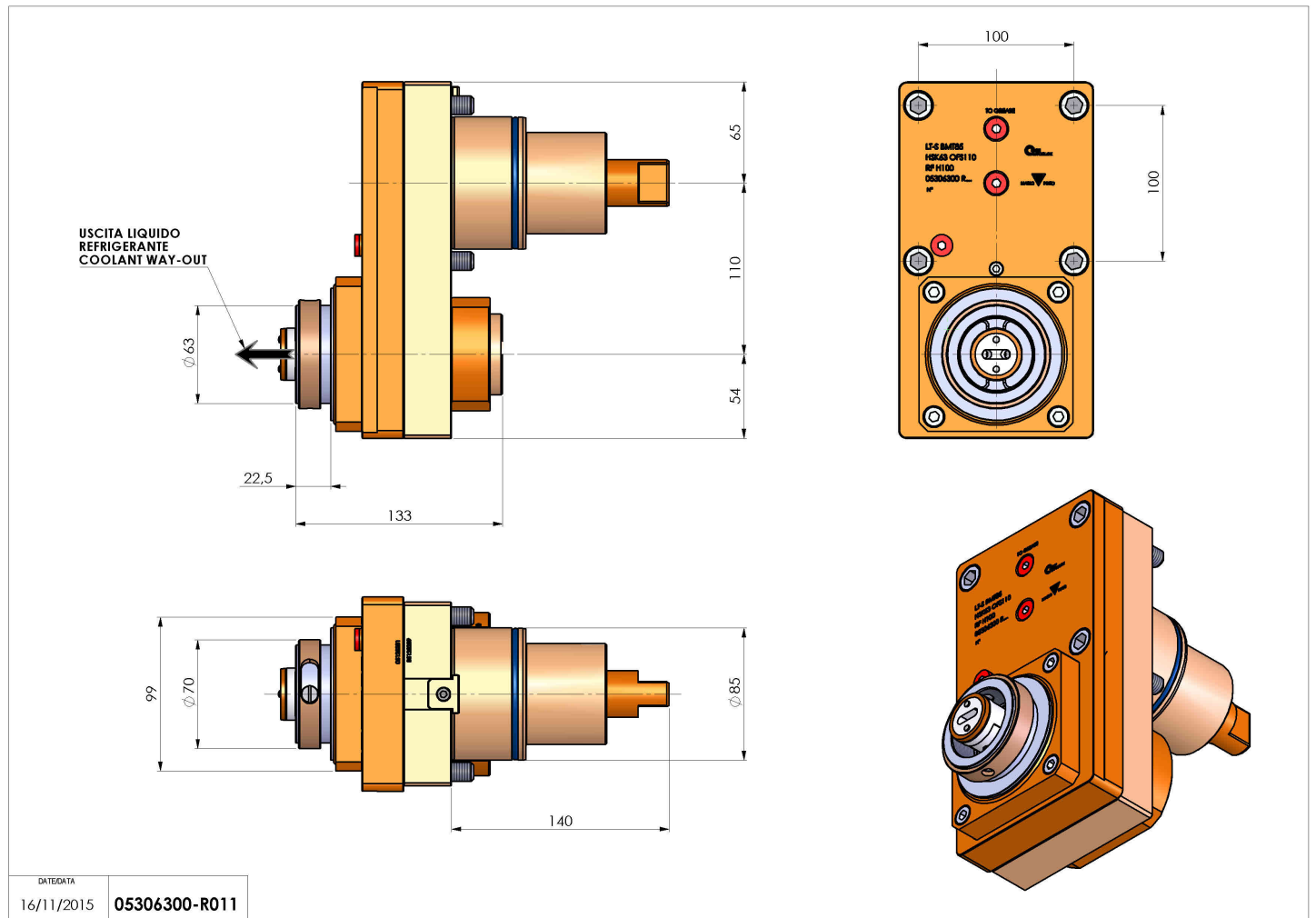


## 05306300 - LT-S BMT85 HSK63 OFS110 RFH100

<b>Type</b>	LT-S OFS Tool holder straight offset
<b>Mounting</b>	BMT 85
<b>Tool output</b>	Quick Change HSK63
<b>Coolant</b>	Internal coolant
<b>Offset [mm]</b>	110
<b>Direction of rotation</b>	r1 ↻ r2 ↻
<b>Max speed [rpm]</b>	4000
<b>Max torque [Nm]</b>	180
<b>Ratio</b>	1:1
<b>H [mm]</b>	100
<b>Accessories</b>	N.A.
<b>Notes</b>	N.A.
<b>Mounting tips</b>	Not suitable for every application, please check



Always check live tool dimensions on the turret



Subject to technical changes