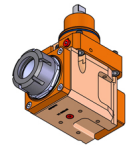
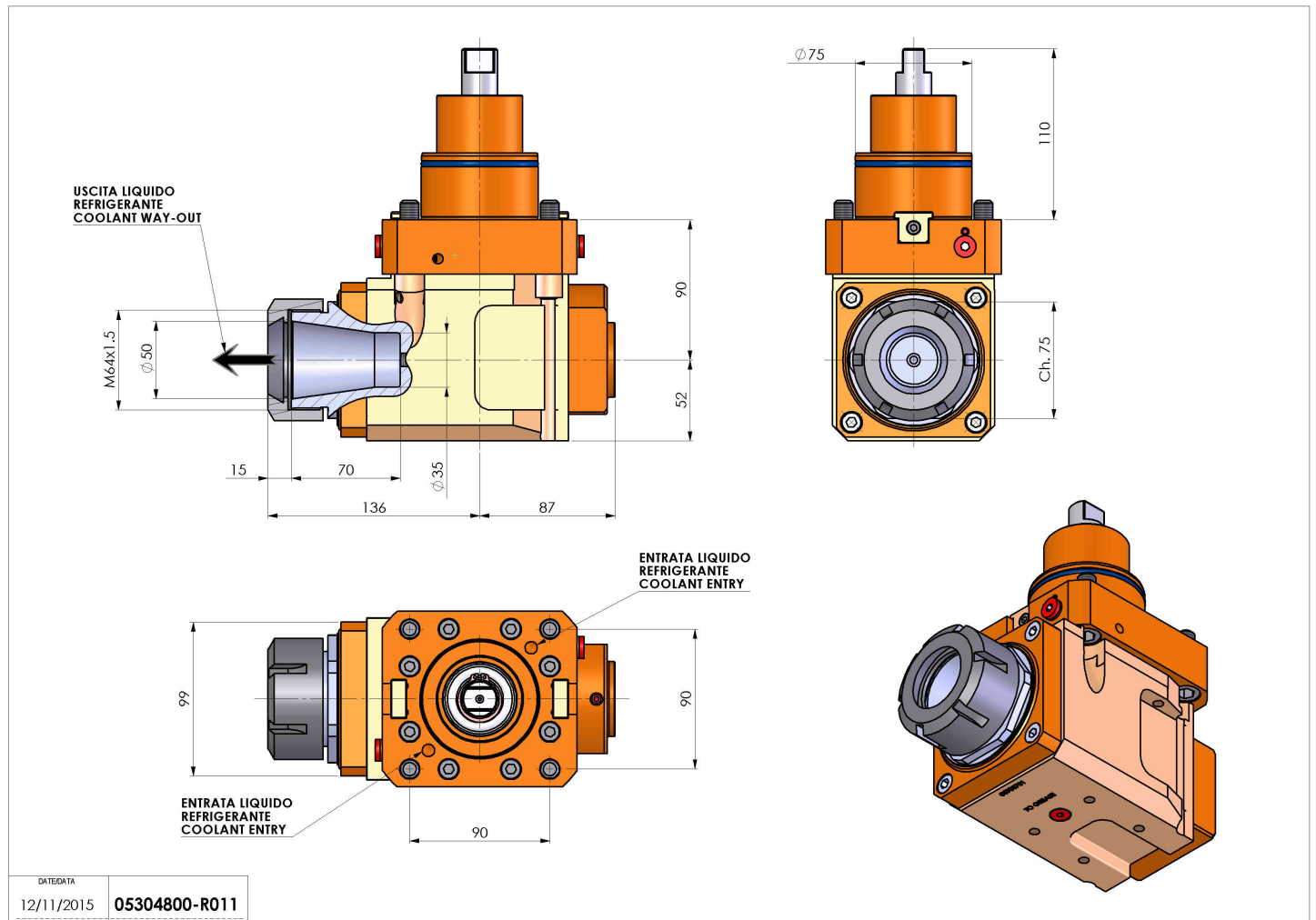


05304800 - LT-A BMT75 ER50 LR RF H90

| | |
|------------------------------|--|
| Type | LT-A Tool holder angle 90° |
| Mounting | BMT 75 |
| Tool output | Collet nut ER 50 |
| Coolant | Internal coolant |
| Direction of rotation | r1 ↻ r2 ↻ |
| Max speed [rpm] | 4000 |
| Max torque [Nm] | 180 |
| Ratio | 1:1 |
| H [mm] | 90 |
| H1 [mm] | 52 |
| Accessories | N.A. |
| Notes | N.A. |
| Mounting tips | Not suitable for every application, please check |



Always check live tool dimensions on the turret



| | |
|------------|---------------|
| DATE/DATE | 05304800-R011 |
| 12/11/2015 | |

Subject to technical changes