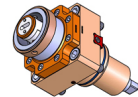
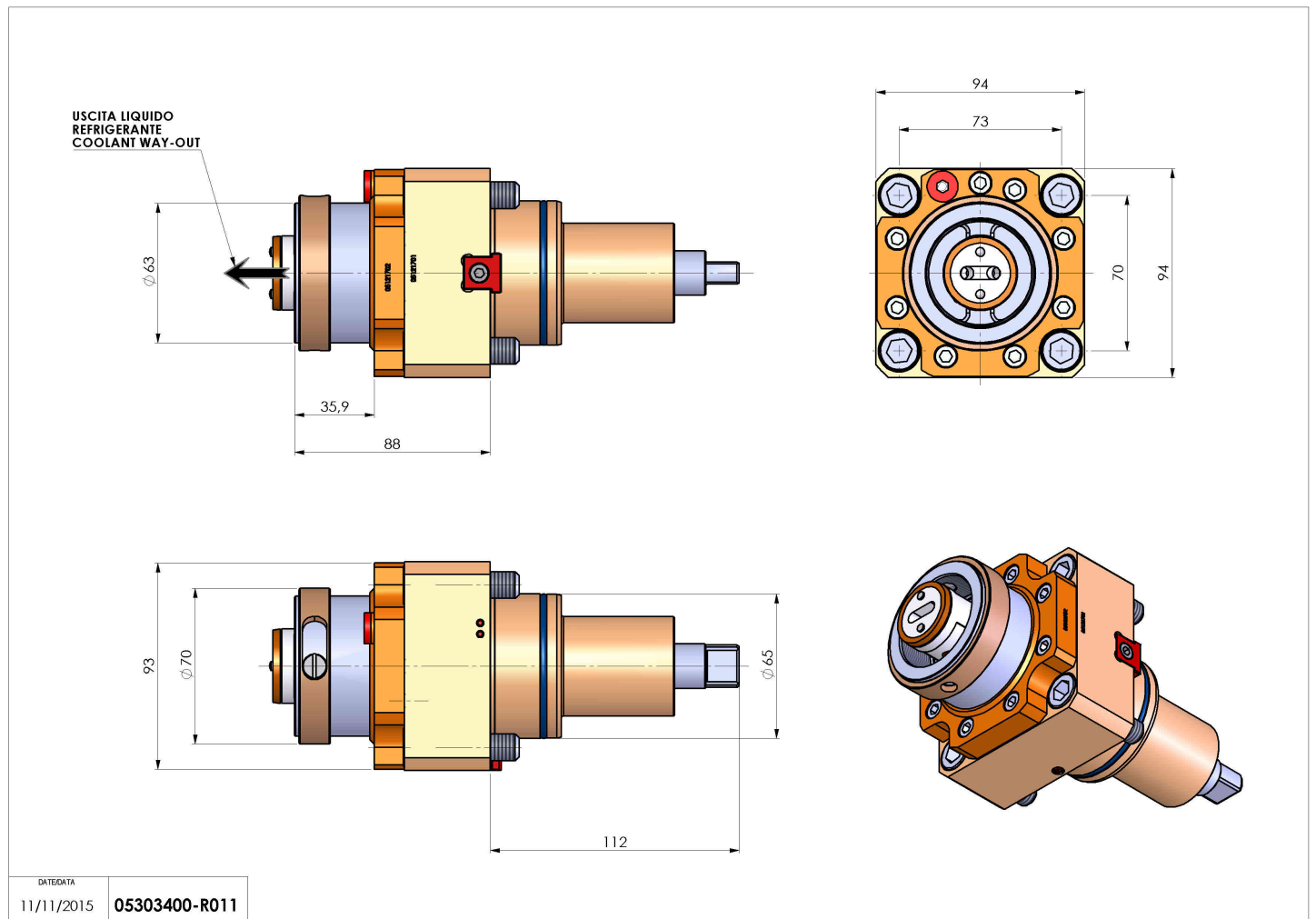


05303400 - LT-S BMT65 HSK63 RF H88

Type	LT-S Tool holder straight
Mounting	BMT 65
Tool output	Quick Change HSK63
Coolant	Internal coolant
Direction of rotation	r1 ↻ r2 ↻
Max speed [rpm]	6000
Max torque [Nm]	70
Ratio	1:1
H [mm]	88
Accessories	
Notes	N.A.
Mounting tips	Not suitable for every application, please check



Always check live tool dimensions on the turret



Subject to technical changes