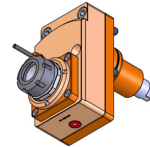
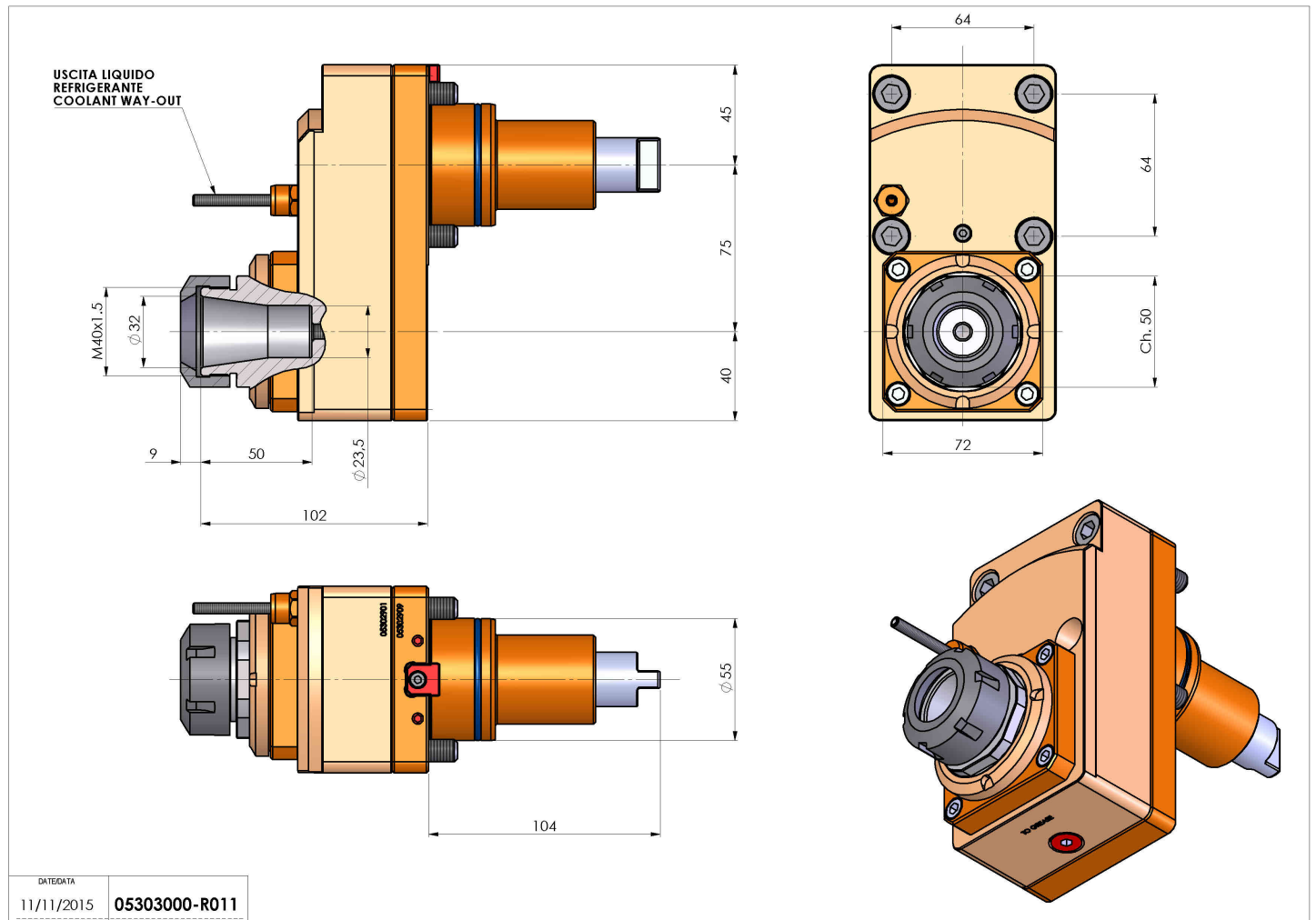


## 05303000 - LT-S BMT55 ER32 OFS75 2:1 H112

<b>Type</b>	LT-S OFS Tool holder straight offset
<b>Mounting</b>	BMT 55
<b>Tool output</b>	Collet nut ER 32
<b>Coolant</b>	External coolant
<b>Offset [mm]</b>	75
<b>Direction of rotation</b>	r1  r2
<b>Max speed [rpm]</b>	in 6000 / out 3000
<b>Max torque [Nm]</b>	in 40 / out 80
<b>Ratio</b>	2:1
<b>H [mm]</b>	111,5
<b>Accessories</b>	N.A.
<b>Notes</b>	N.A.
<b>Mounting tips</b>	Not suitable for every application, please check



Always check live tool dimensions on the turret



DATE/DATE	11/11/2015
PART NUMBER	05303000-R011

Subject to technical changes