

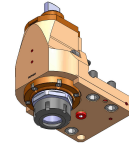
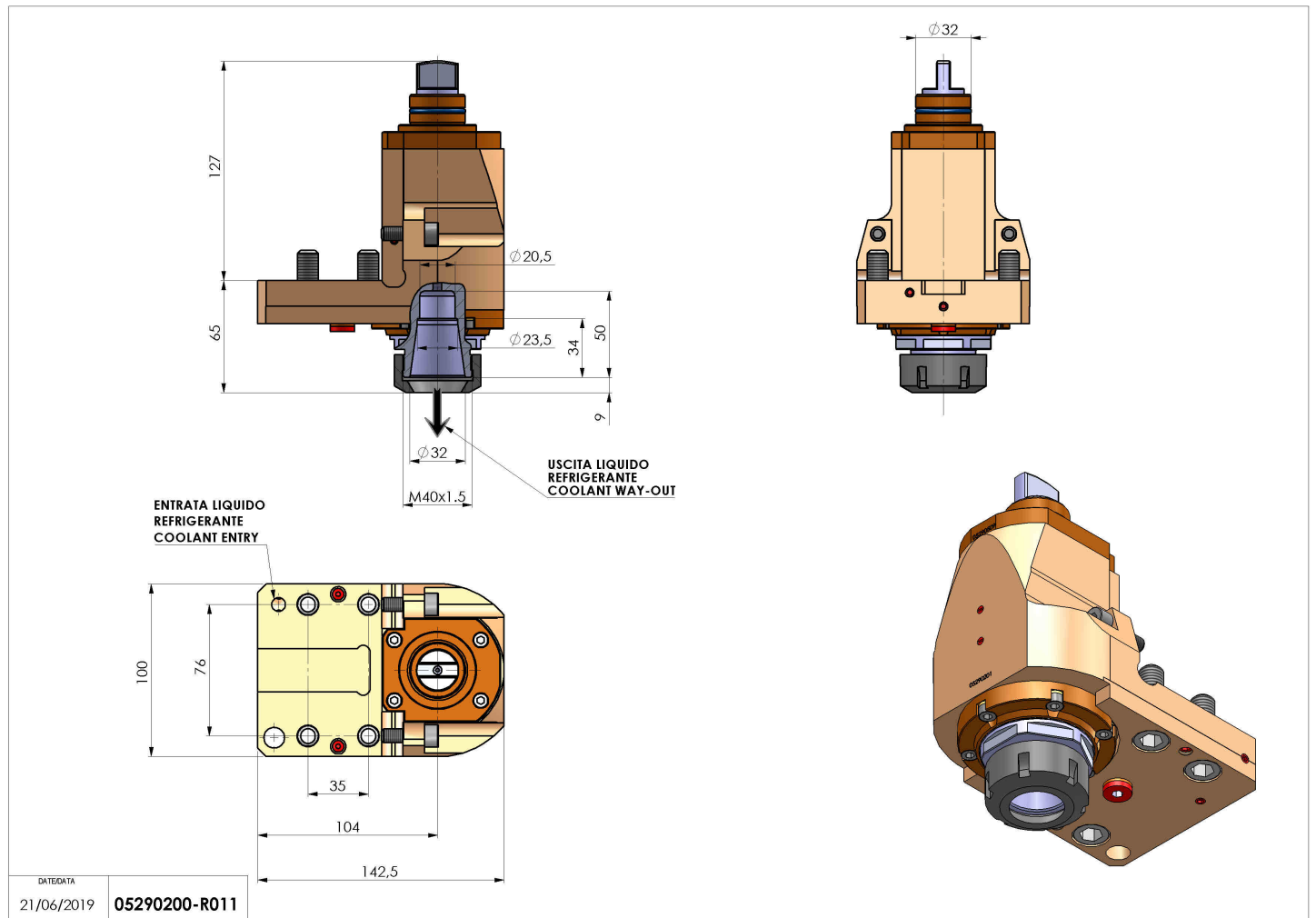


05290200 - LT-S D32 ER32 HRFHS H65

Type	LT-S Tool holder straight
Mounting	CYLINDRICAL SHANK 32
Tool output	Collet nut ER 32
Coolant	HP Internal coolant
Direction of rotation	r1  r2 
Max speed [rpm]	10000
Max torque [Nm]	70
Ratio	1:1
H [mm]	65
Max pressure [bar]	70
Accessories	N.A.
Notes	N.A.
Mounting tips	Not suitable for every application, please check



Always check live tool dimensions on the turret



Subject to technical changes

DATE/DATE
21/06/2019 05290200-R011