
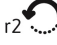
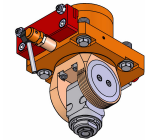
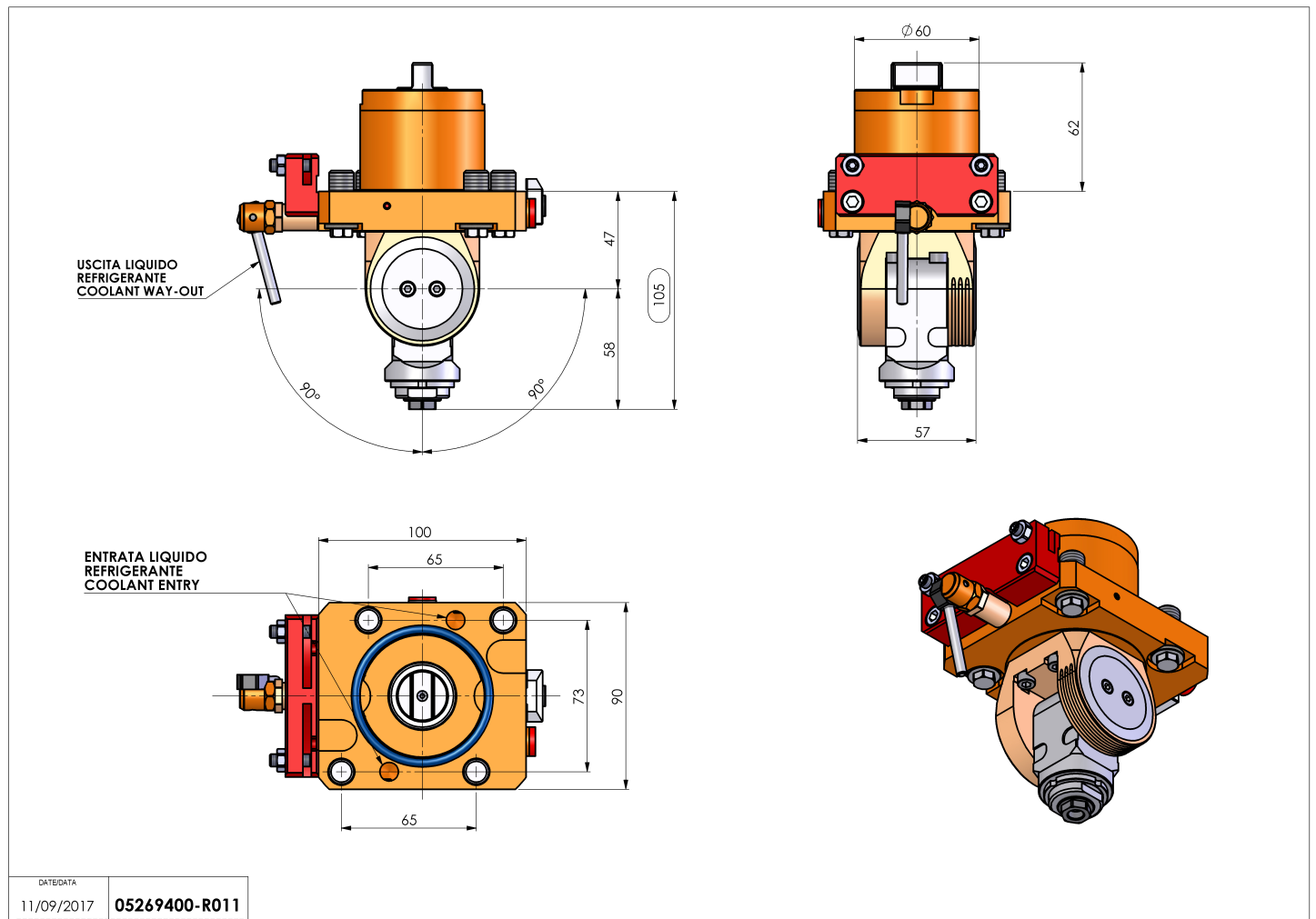


# 05269400 - LT-T D60 ER11F H47-105

<b>Type</b>	LT-T Tool holder tiltable
<b>Mounting</b>	CYLINDRICAL SHANK 60
<b>Tool output</b>	Collet nut ER 11 F
<b>Coolant</b>	External coolant
<b>Direction of rotation</b>	r1  r2 
<b>Max speed [rpm]</b>	6000
<b>Max torque [Nm]</b>	5
<b>Ratio</b>	1:1
<b>H [mm]</b>	47-105
<b>Accessories</b>	N.A.
<b>Notes</b>	N.A.
<b>Mounting tips</b>	Not suitable for every application, please check



Always check live tool dimensions on the turret



DATE/DATA	05269400-R011
11/09/2017	

Subject to technical changes