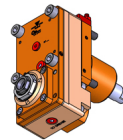
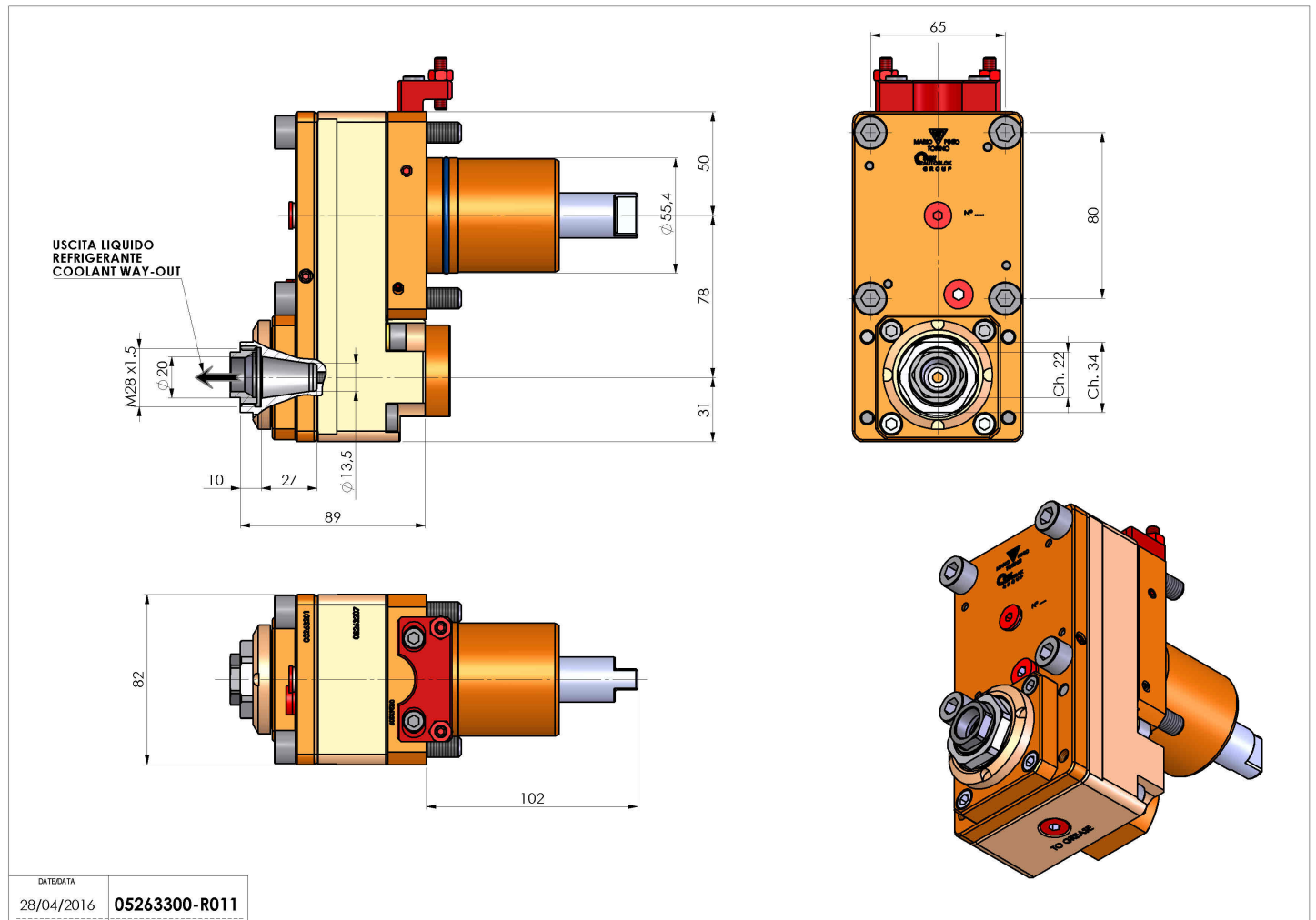


05263300 - LT-SD55.4ER20F OF78RF1:3H90 OK

| | |
|------------------------------|--|
| Type | LT-S OFS Tool holder straight offset |
| Mounting | CYLINDRICAL SHANK 55,4 |
| Tool output | Collet nut ER 20 F - internal nut |
| Coolant | Internal coolant |
| Offset [mm] | 78 |
| Direction of rotation | r1 ↻ r2 ↻ |
| Max speed [rpm] | in 5000 / out 15000 |
| Max torque [Nm] | in 50 / out 14 |
| Ratio | 1:3 |
| H [mm] | 89,5 |
| Accessories | N.A. |
| Notes | N.A. |
| Mounting tips | Not suitable for every application, please check |



Always check live tool dimensions on the turret



| | |
|------------|----------------------|
| DATE/DATE | |
| 28/04/2016 | 05263300-R011 |

Subject to technical changes