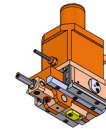


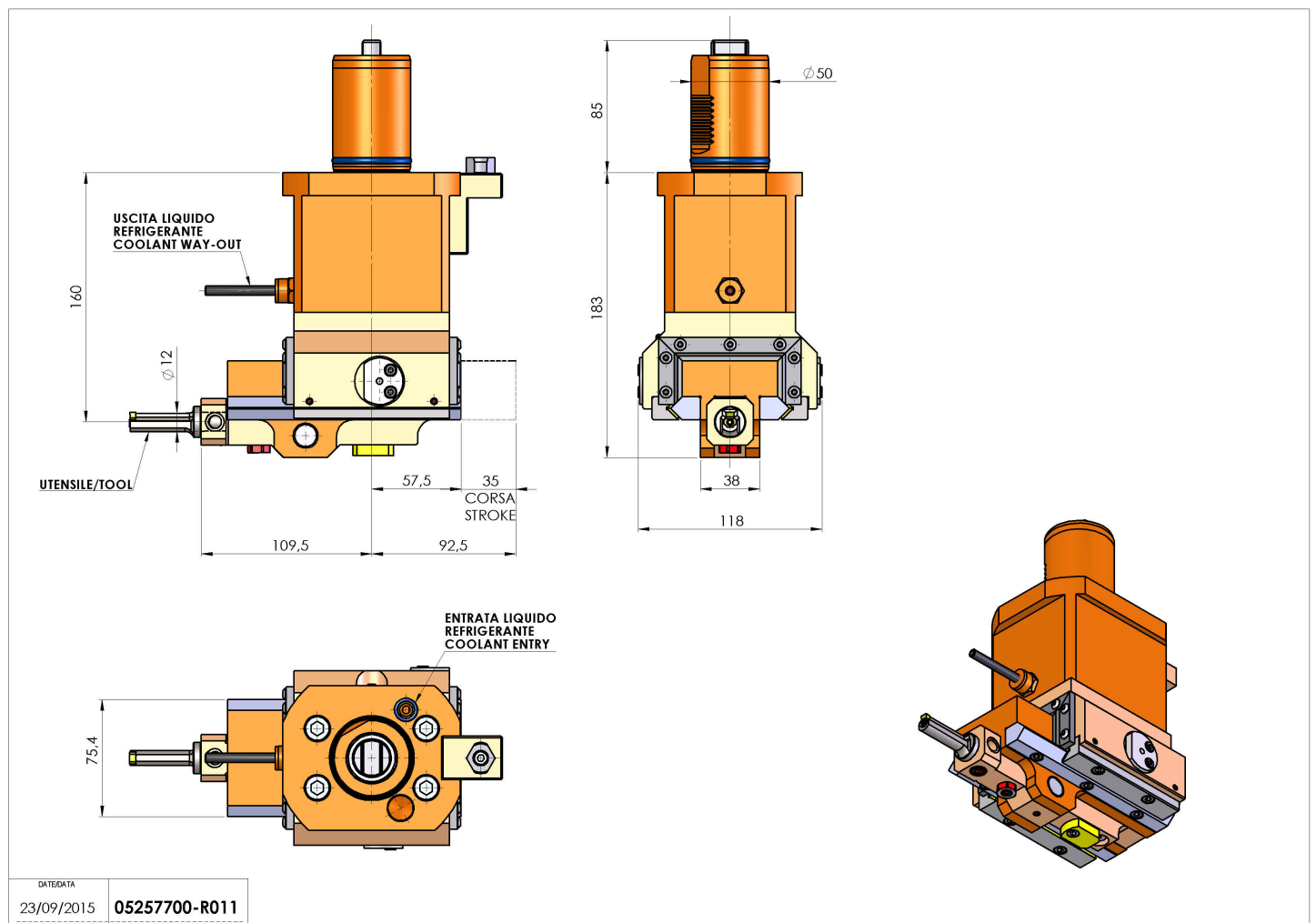
05257700 - LT-A ST35 VDI50 C12 H160 MZ

| | |
|--------------------------|--|
| Type | LT-A ST Slotting tool 90° |
| Mounting | VDI 50 |
| Tool output | Tool diameter 12 |
| Coolant | External coolant |
| Max speed [rpm] | 700 |
| Max torque [Nm] | 17,5 |
| Ratio | 1:1 |
| Y axis adjustment | NO |
| Feed pushing [N] | 1000 |
| Stroke [mm] | 35 |
| Work stroke [mm] | 30 |
| H [mm] | 160 |
| Accessories | N.A. |
| Notes | N.A. |
| Mounting tips | Not suitable for every application, please check |



ATTENZIONE: VERIFICARE L'ORIENTAMENTO DELLA DENTATURA VDI

Always check live tool dimensions on the turret



DATE/GATE
23/09/2015 **05257700-R011**

Subject to technical changes