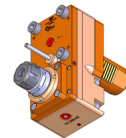


05257000 - LTS VDI40 ER20 OFS78 1:3H120MZ

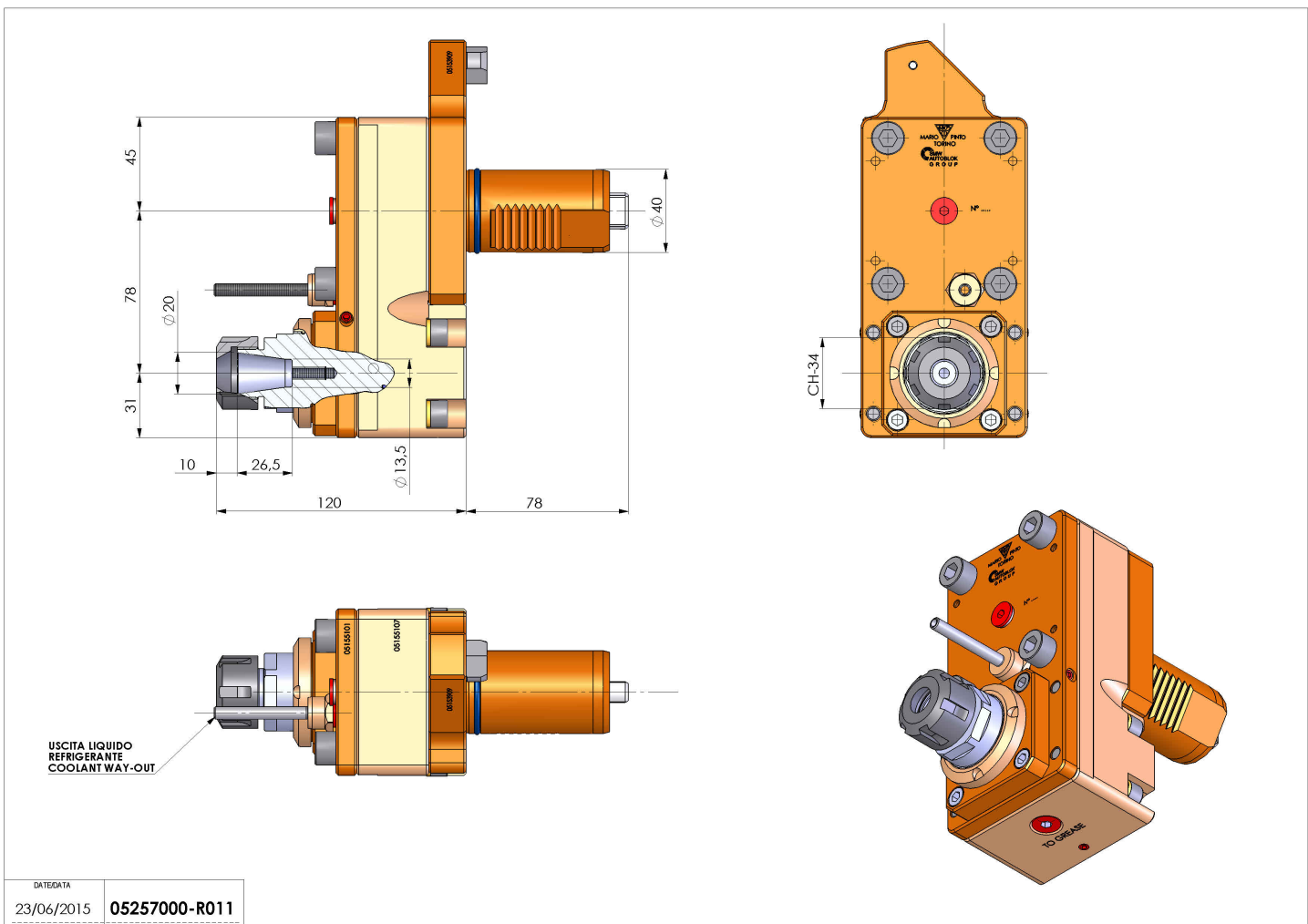
Type	LT-S OFS Tool holder straight offset
Mounting	VDI 40
Tool output	Collet nut ER 20
Coolant	External coolant
Offset [mm]	78
Direction of rotation	r1 ↻ r2 ↻
Max speed [rpm]	in 5000 / out 15000
Max torque [Nm]	in 50 / out 14
Ratio	1:3
H [mm]	120
Accessories	N.A.
Notes	N.A.



Mounting tips Not suitable for every application, please check

ATTENZIONE: VERIFICARE L'ORIENTAMENTO DELLA DENTATURA VDI

Always check live tool dimensions on the turret



DATE/DATE	23/06/2015	05257000-R011
-----------	------------	---------------

Subject to technical changes