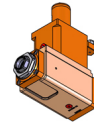


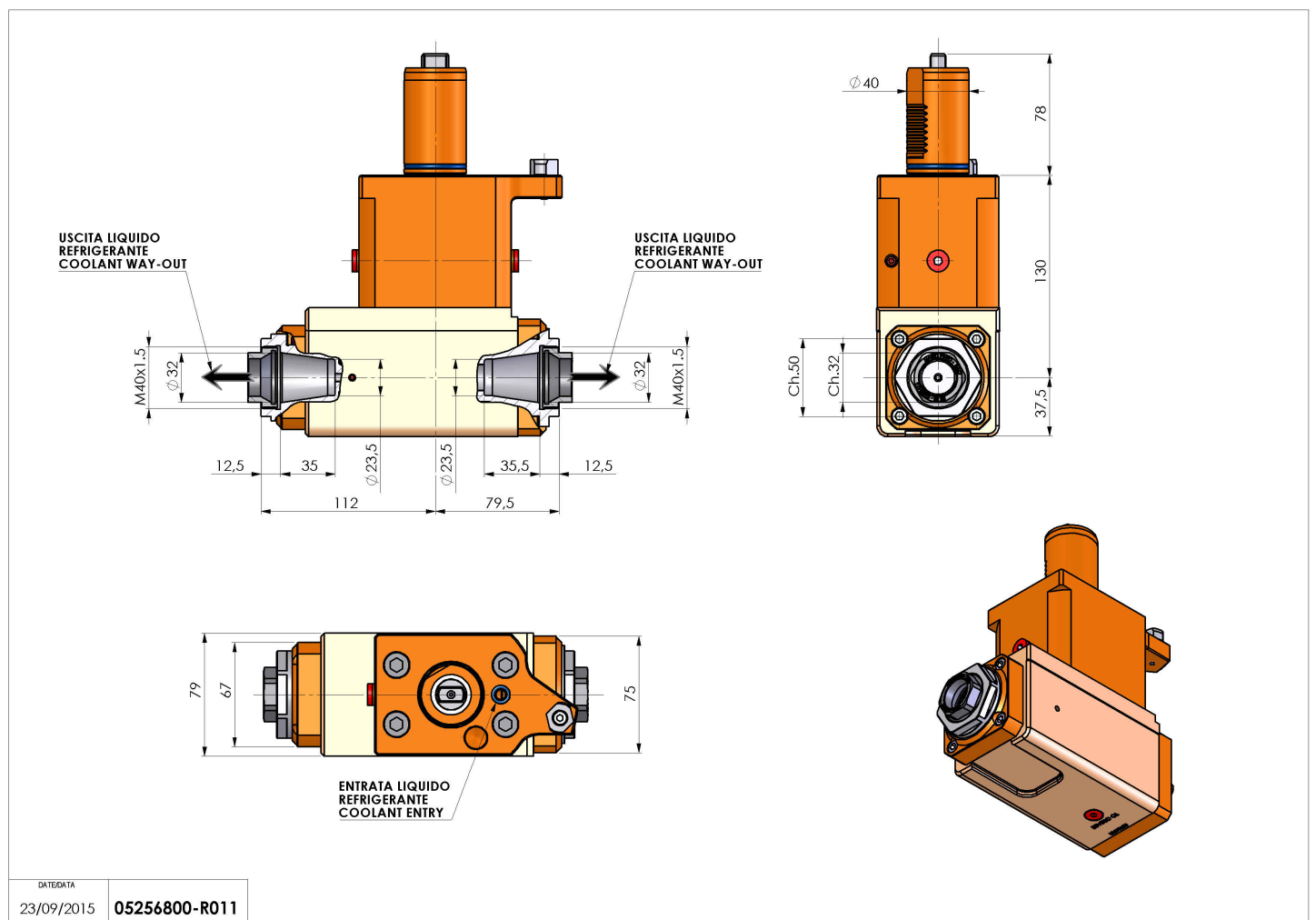
05256800 - LT-A VDI40 ER32F-32F RF H130MZ

| | |
|-----------------------|--|
| Type | LT-A DBL Tool holder double angle 90° |
| Mounting | VDI 40 |
| Tool output | Collet nut ER 32 F - internal nut |
| Coolant | Internal coolant |
| Direction of rotation | r1 ↻ r2 ↻ r3 ↻ |
| Max speed [rpm] | 6000 |
| Max torque [Nm] | 63 |
| Ratio | 1:1 |
| H [mm] | 130 |
| H1 [mm] | 37,5 |
| Accessories | N.A. |
| Notes | N.A. |
| Mounting tips | Not suitable for every application, please check |



ATTENZIONE: VERIFICARE L'ORIENTAMENTO DELLA DENTATURA VDI

Always check live tool dimensions on the turret



DATE/GATE
23/09/2015 05256800-R011

Subject to technical changes