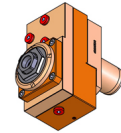


05255500 - LT-S VDI40ER25FRFOFS50H102 MZH

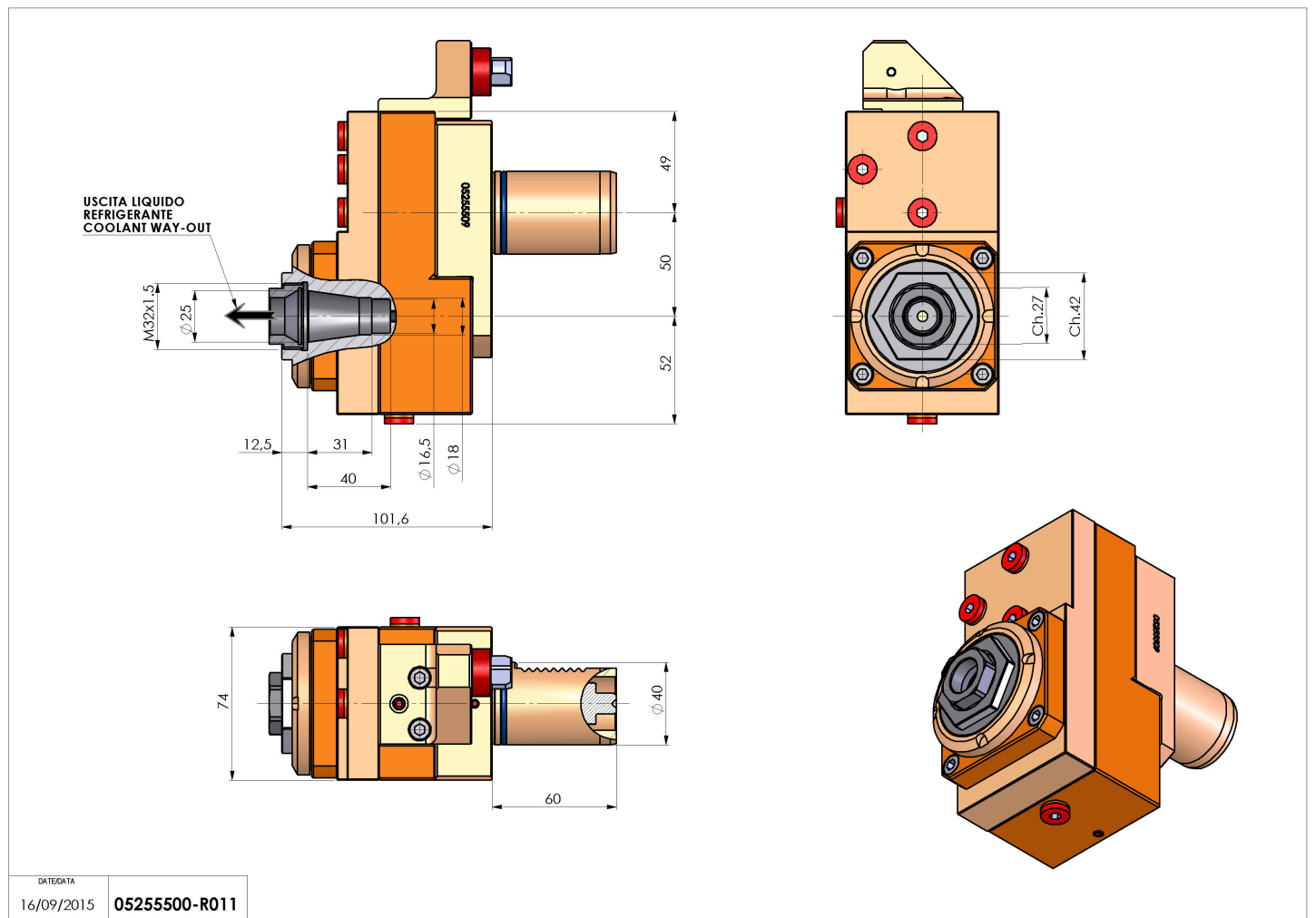
Type	LT-S OFS Tool holder straight offset
Mounting	VDI 40
Tool output	Collet nut ER 25 F - internal nut
Coolant	Internal coolant
Offset [mm]	50
Direction of rotation	r1 ↻ r2 ↻
Max speed [rpm]	6000
Max torque [Nm]	63
Ratio	1:1
H [mm]	102
Accessories	N.A.
Notes	N.A.



Mounting tips Not suitable for every application, please check

ATTENZIONE: VERIFICARE L'ORIENTAMENTO DELLA DENTATURA VDI

Always check live tool dimensions on the turret



Subject to technical changes