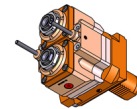


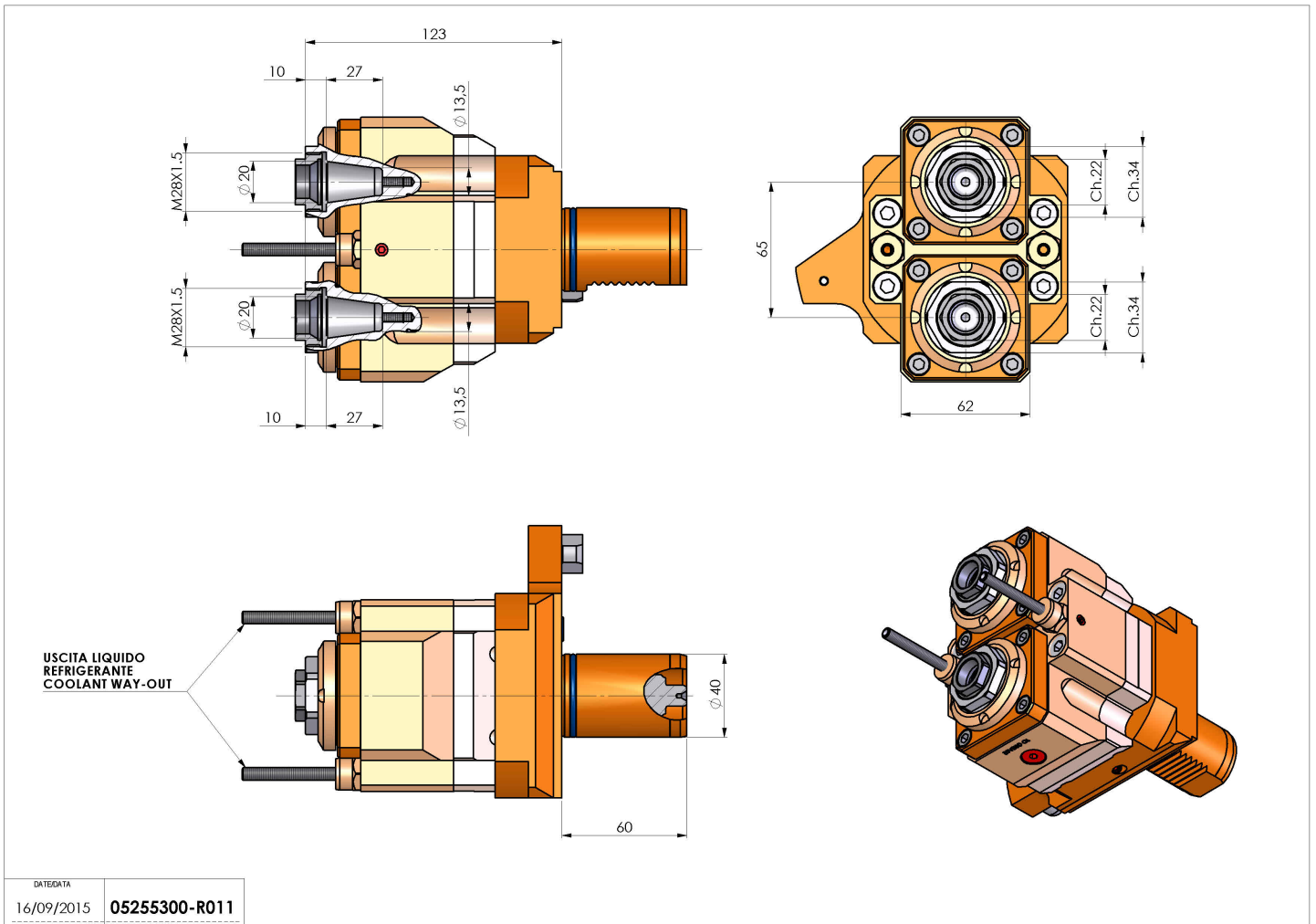
# 05255300 - LT-S2VDI40ER20F-20FH122 1:2MZH

<b>Type</b>	LT-S2 Tool holder double straight
<b>Mounting</b>	VDI 40
<b>Tool output</b>	Collet nut ER 20 F - internal nut
<b>Coolant</b>	External coolant
<b>Direction of rotation</b>	r1 ↻ r2 ↻ r3 ↻
<b>Max speed [rpm]</b>	in 6000 / out 12000
<b>Max torque [Nm]</b>	in 38 / out 16
<b>Ratio</b>	1:2
<b>H [mm]</b>	122
<b>Accessories</b>	N.A.
<b>Notes</b>	N.A.
<b>Mounting tips</b>	Not suitable for every application, please check



**ATTENZIONE: VERIFICARE L'ORIENTAMENTO DELLA DENTATURA VDI**

Always check live tool dimensions on the turret



DATE/DATE: 16/09/2015 05255300-R011

Subject to technical changes