


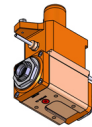


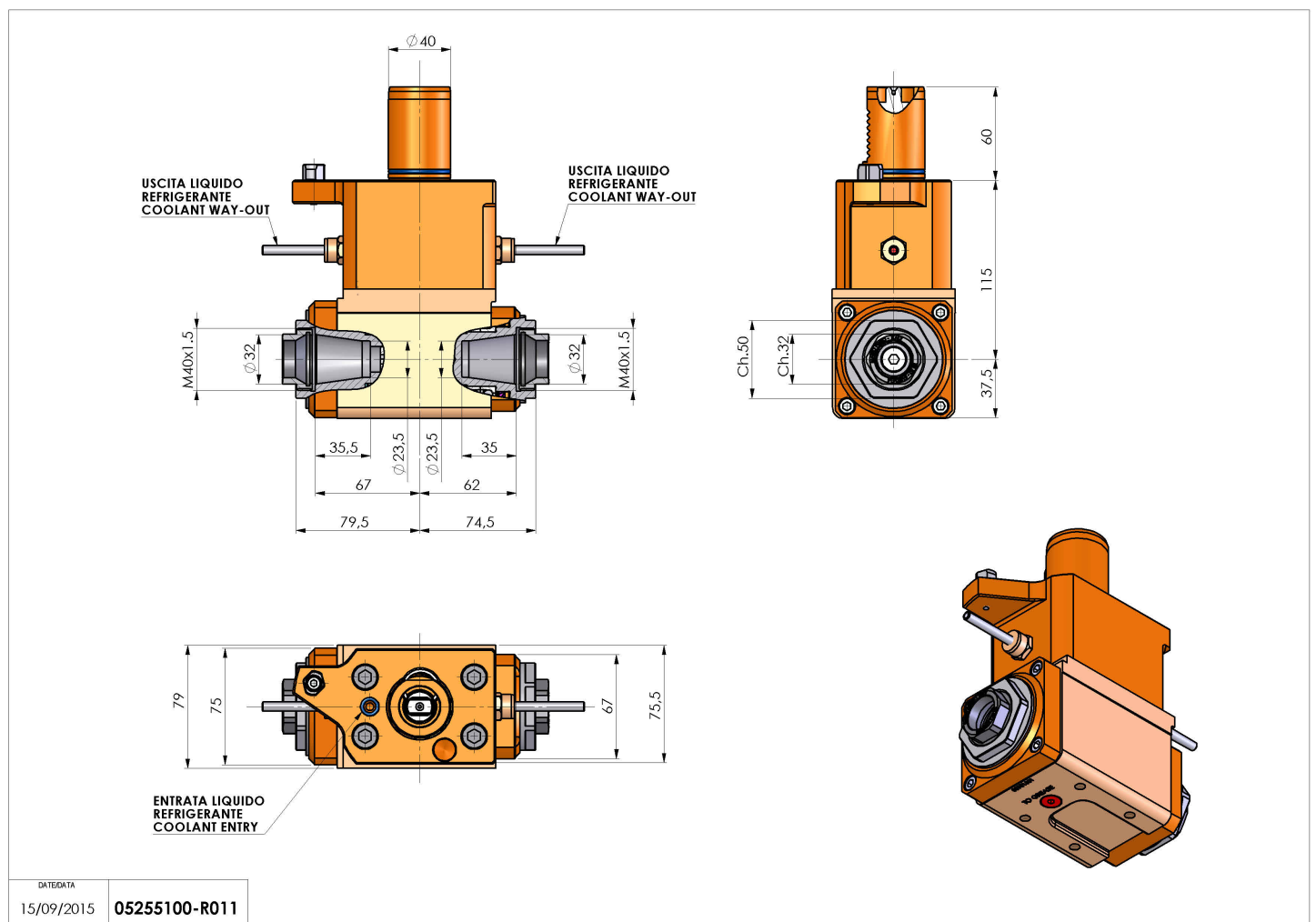
# 05255100 - LT-A VDI40 ER32F-32F H115 MZH

|                       |  |
|-----------------------|--|
| Type                  | LT-A DBL<br>Tool holder double angle 90°   |
| Mounting              | VDI 40   |
| Tool output           | Collet nut ER 32 F - internal nut  |
| Coolant               | External coolant   |
| Direction of rotation | r1  r2  r3  |
| Max speed [rpm]       | 6000   |
| Max torque [Nm]       | 63   |
| Ratio                 | 1:1  |
| H [mm]                | 115  |
| H1 [mm]               | 37,5   |
| Accessories           | N.A.   |
| Notes                 | N.A.   |
| Mounting tips         | Not suitable for every application, please check   |



**ATTENZIONE: VERIFICARE L'ORIENTAMENTO DELLA DENTATURA VDI**

Always check live tool dimensions on the turret



DATE/GRA  
15/09/2015 **05255100-R011**

Subject to technical changes