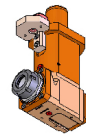


05254600 - LT-A VDI50 ER40 RF H175 MZ

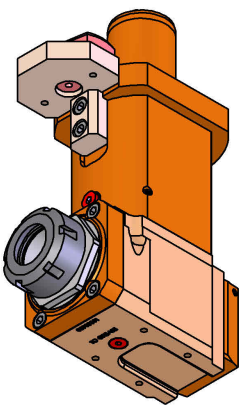
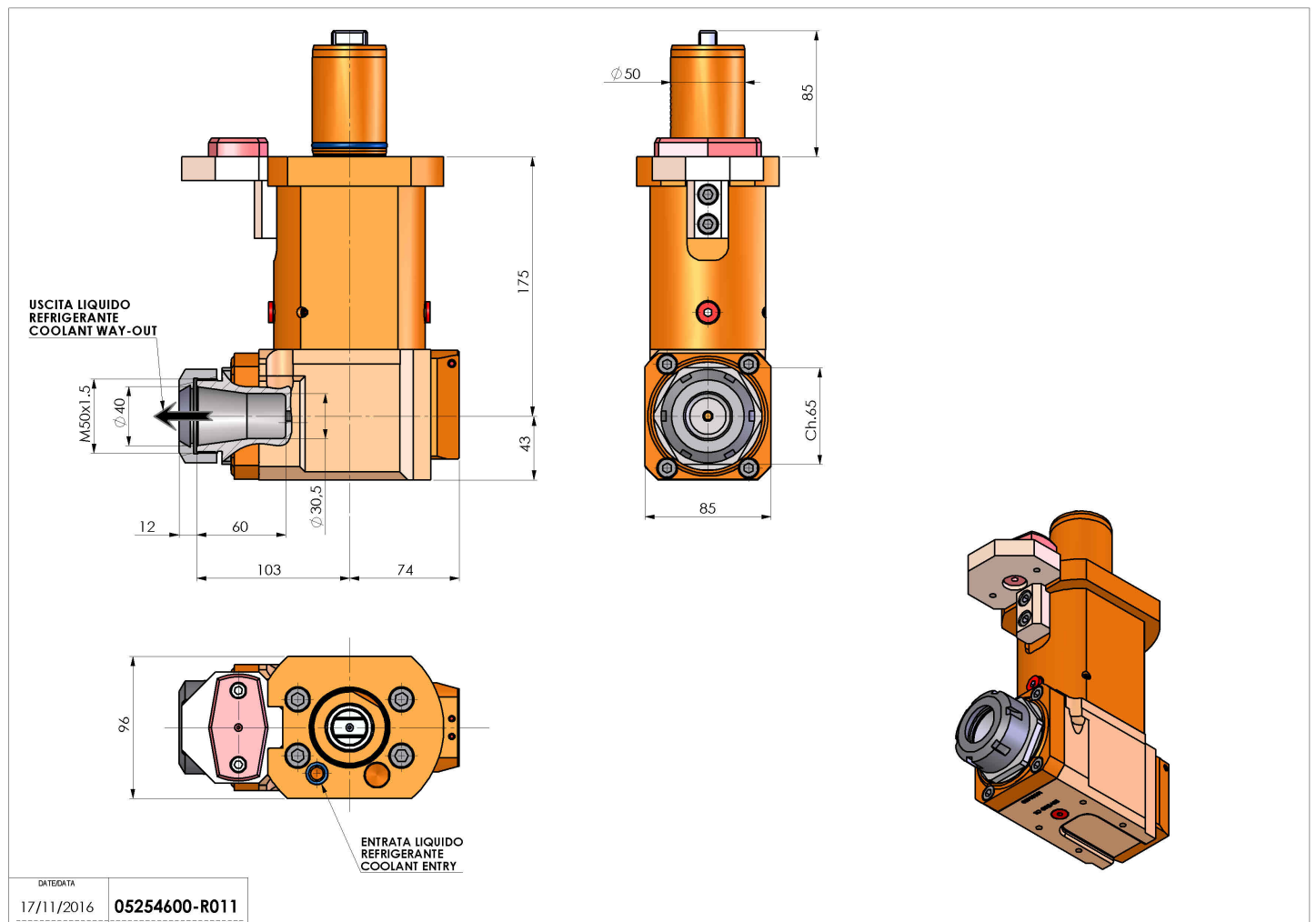
Type	LT-A Tool holder angle 90°
Mounting	VDI 50
Tool output	Collet nut ER 40
Coolant	Internal coolant
Direction of rotation	r1 ↻ r2 ↻
Max speed [rpm]	6000
Max torque [Nm]	63
Ratio	1:1
H [mm]	175
H1 [mm]	43
Accessories	N.A.
Notes	N.A.



Mounting tips Not suitable for every application, please check

ATTENZIONE: VERIFICARE L'ORIENTAMENTO DELLA DENTATURA VDI

Always check live tool dimensions on the turret



DATE/DATE	17/11/2016
05254600-R011	

Subject to technical changes