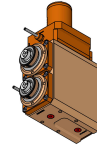


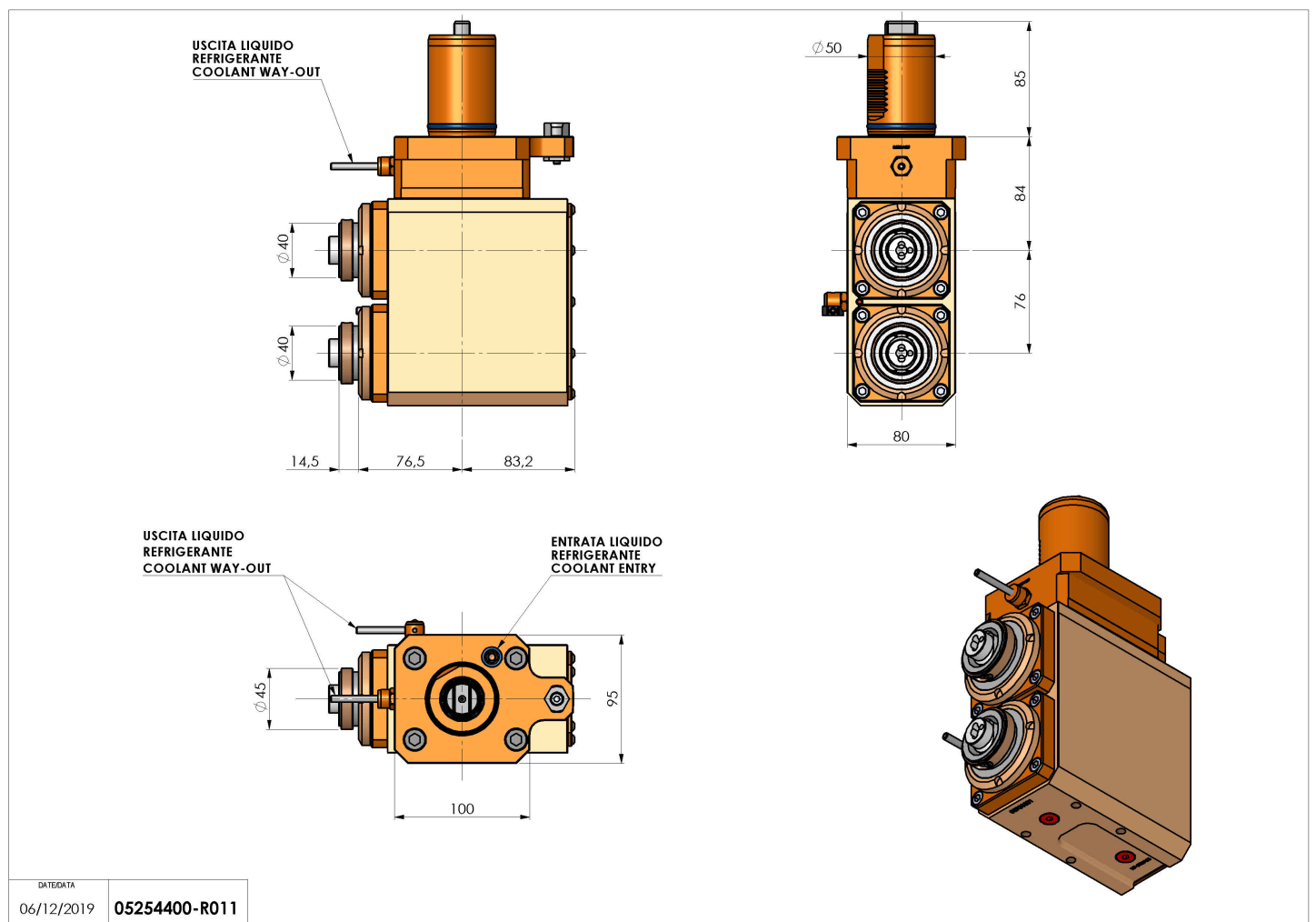
## 05254400 - LT-A2 VDI50 HSK40 H160-84

<b>Type</b>	LT-A2 V Tool holder angle 90° double vertical
<b>Mounting</b>	VDI 50
<b>Tool output</b>	Quick Change HSK40
<b>Coolant</b>	External coolant
<b>Direction of rotation</b>	r1 ↻ r2 ↻
<b>Max speed [rpm]</b>	4000
<b>Max torque [Nm]</b>	50
<b>Ratio</b>	1:1
<b>H [mm]</b>	84-160
<b>H1 [mm]</b>	39
<b>Accessories</b>	N.A.
<b>Notes</b>	N.A.
<b>Mounting tips</b>	Not suitable for every application, please check



**ATTENZIONE: VERIFICARE L'ORIENTAMENTO DELLA DENTATURA VDI**

Always check live tool dimensions on the turret



DATE/DATE	06/12/2019	05254400-R011
-----------	------------	---------------

Subject to technical changes