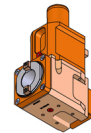


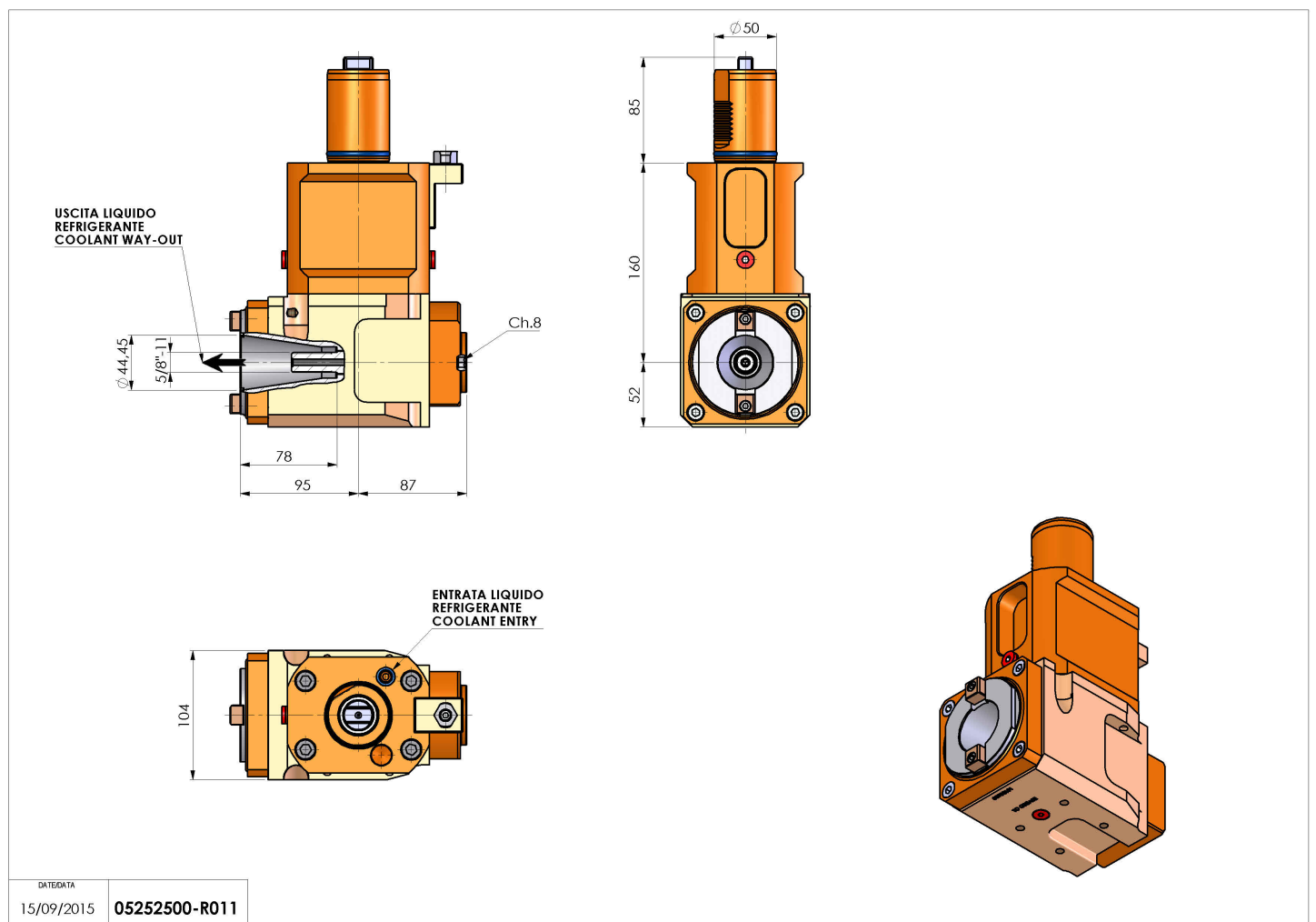
05252500 - LT-A VDI50 CAT40V40 L RFH160MZ

Type	LT-A Tool holder angle 90°
Mounting	VDI 50
Tool output	Quick Change CAT40
Coolant	Internal coolant
Direction of rotation	r1 ↻ r2 ↻
Max speed [rpm]	6000
Max torque [Nm]	180
Ratio	1:1
H [mm]	160
H1 [mm]	52
Accessories	N.A.
Notes	N.A.
Mounting tips	Not suitable for every application, please check



ATTENZIONE: VERIFICARE L'ORIENTAMENTO DELLA DENTATURA VDI

Always check live tool dimensions on the turret



DATE/DATE	
15/09/2015	05252500-R011

Subject to technical changes