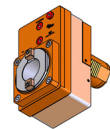


05252300 - LTS VDI50CAT40V40OFS76RFH105MZ

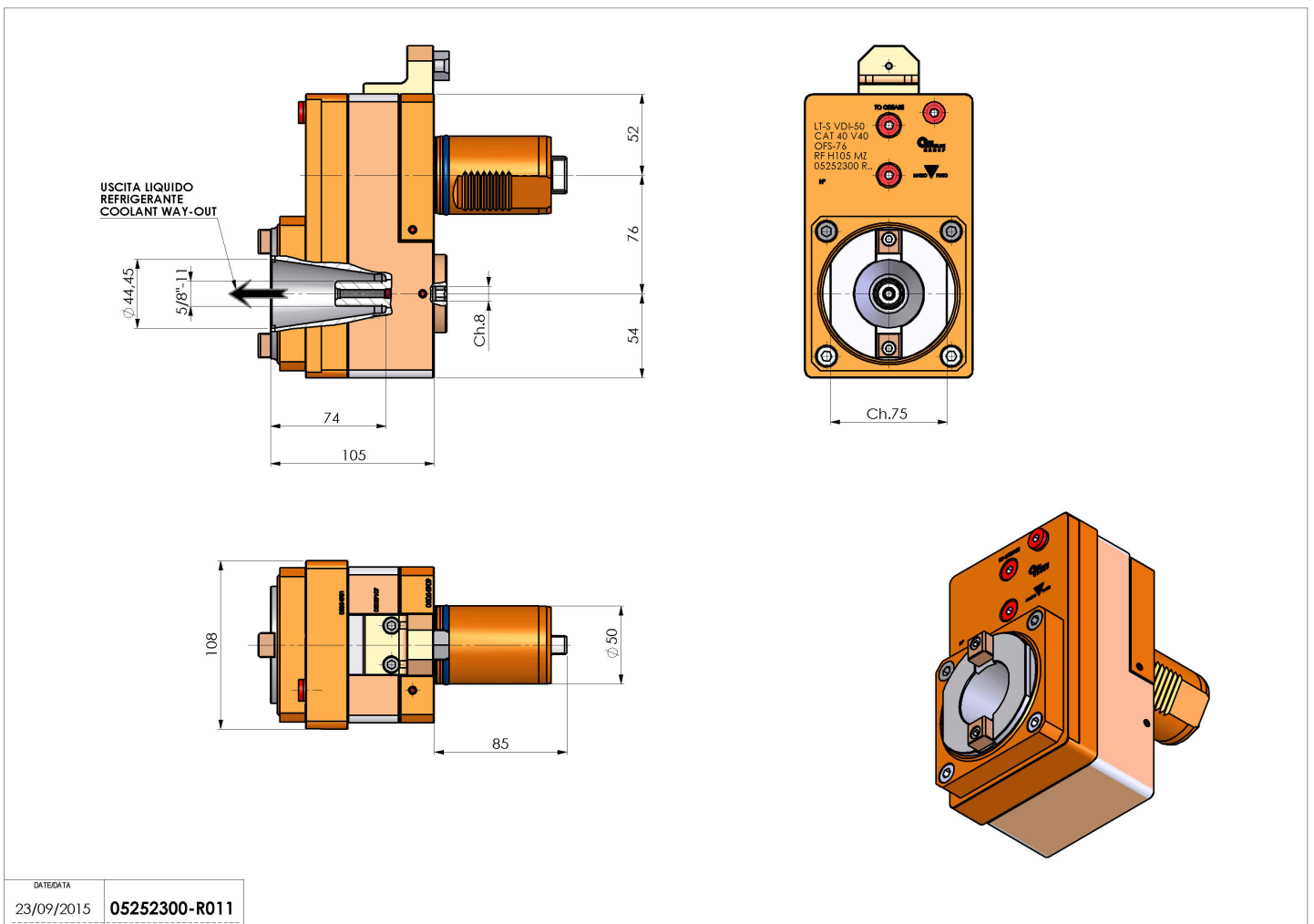
Type	LT-S OFS Tool holder straight offset
Mounting	VDI 50
Tool output	Quick Change CAT40
Coolant	Internal coolant
Offset [mm]	76
Direction of rotation	r1 ↻ r2 ↻
Max speed [rpm]	6000
Max torque [Nm]	180
Ratio	1:1
H [mm]	105
Accessories	N.A.
Notes	N.A.



Mounting tips Not suitable for every application, please check

ATTENZIONE: VERIFICARE L'ORIENTAMENTO DELLA DENTATURA VDI

Always check live tool dimensions on the turret



DATE/DATE	05252300-R011
-----------	---------------

Subject to technical changes