

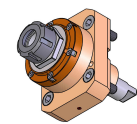
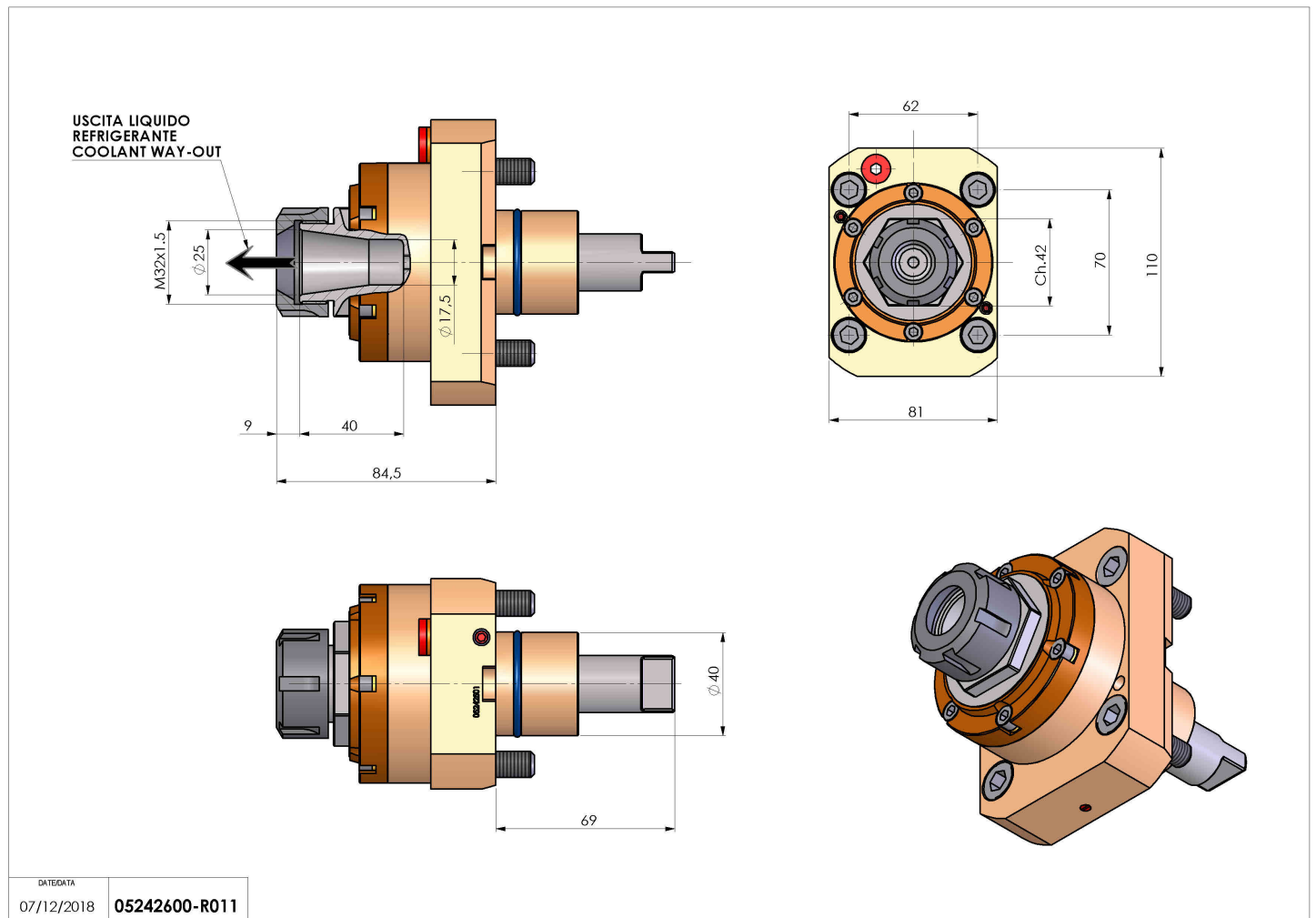


05242600 - LT-S D40 ER25 RF HS H84

Type	LT-S Tool holder straight
Mounting	CYLINDRICAL SHANK 40
Tool output	Collet nut ER 25
Coolant	Internal coolant
Direction of rotation	r1  r2 
Max speed [rpm]	12000
Max torque [Nm]	40
Ratio	1:1
H [mm]	84
Accessories	N.A.
Notes	N.A.
Mounting tips	Not suitable for every application, please check



Always check live tool dimensions on the turret



Subject to technical changes