

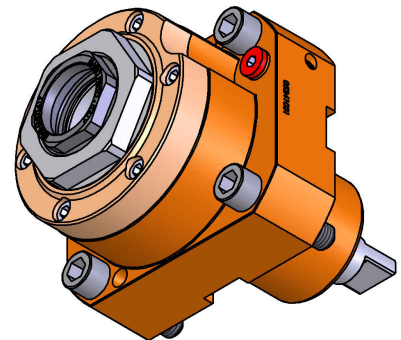
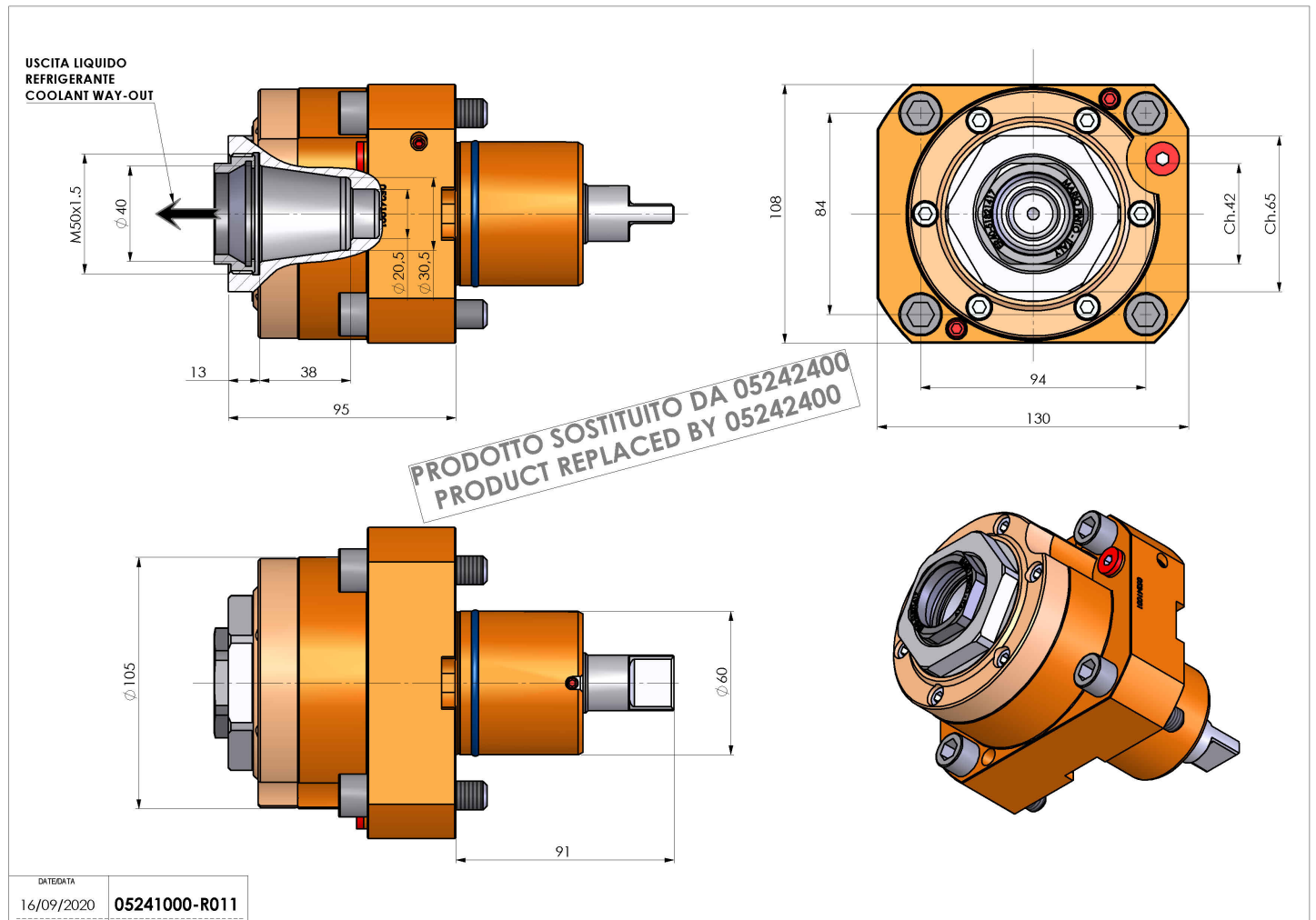
05241000 - LT-S D60 ER40F HRFHS H95

Type	LT-S Tool holder straight
Mounting	CYLINDRICAL SHANK 60
Tool output	Collet nut ER 40 F - internal nut
Coolant	HP Internal coolant
Direction of rotation	r1 r2
Max speed [rpm]	10000
Max torque [Nm]	63
Ratio	1:1
H [mm]	95
Max pressure [bar]	70
Accessories	N.A.
Notes	Soon out of stock. Replaced by cod. 05242400
Mounting tips	Not suitable for every application, please check



REPLACED BY 05242400

Always check live tool dimensions on the turret



Subject to technical changes

DATE/DATE	16/09/2020	05241000-R011
-----------	------------	---------------