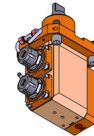
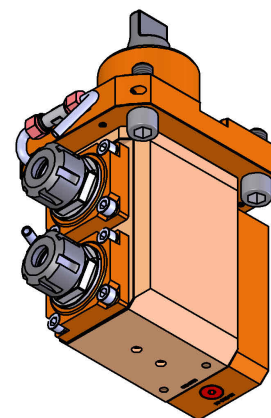
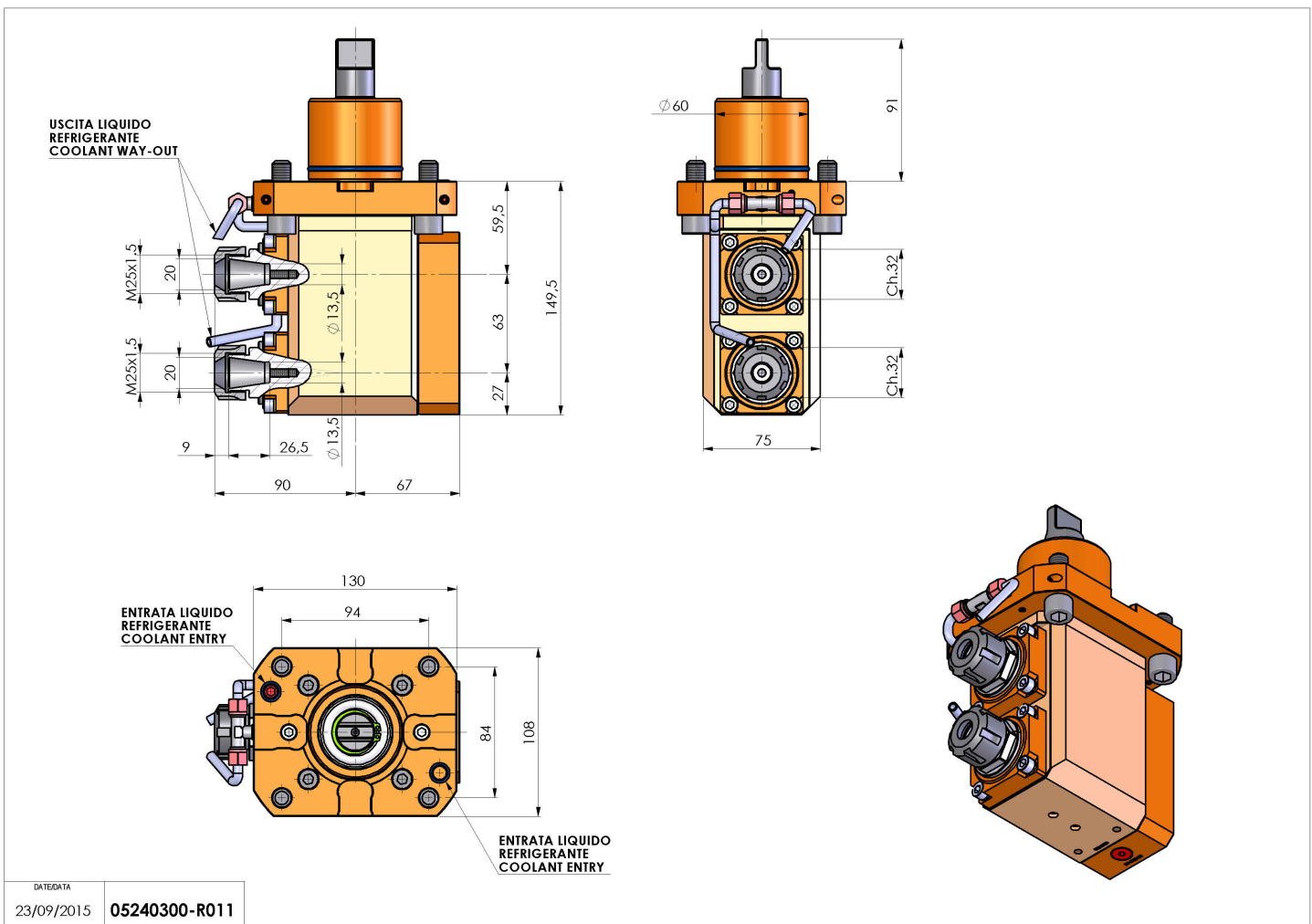


05240300 - LT-A2V D60 ER20-20 LR OFS63

Type	LT-A2 V Tool holder angle 90° double vertical
Mounting	CYLINDRICAL SHANK 60
Tool output	Collet nut ER 20
Coolant	External coolant
Offset [mm]	63
Direction of rotation	r1 ↻ r2 ↻ r3 ↻
Max speed [rpm]	6000
Max torque [Nm]	25
Ratio	1:1
H [mm]	59.5-122,5
H1 [mm]	27
Accessories	N.A.
Notes	N.A.
Mounting tips	Not suitable for every application, please check



Always check live tool dimensions on the turret



DATE/DATA	05240300-R011
23/09/2015	

Subject to technical changes