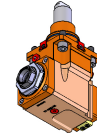
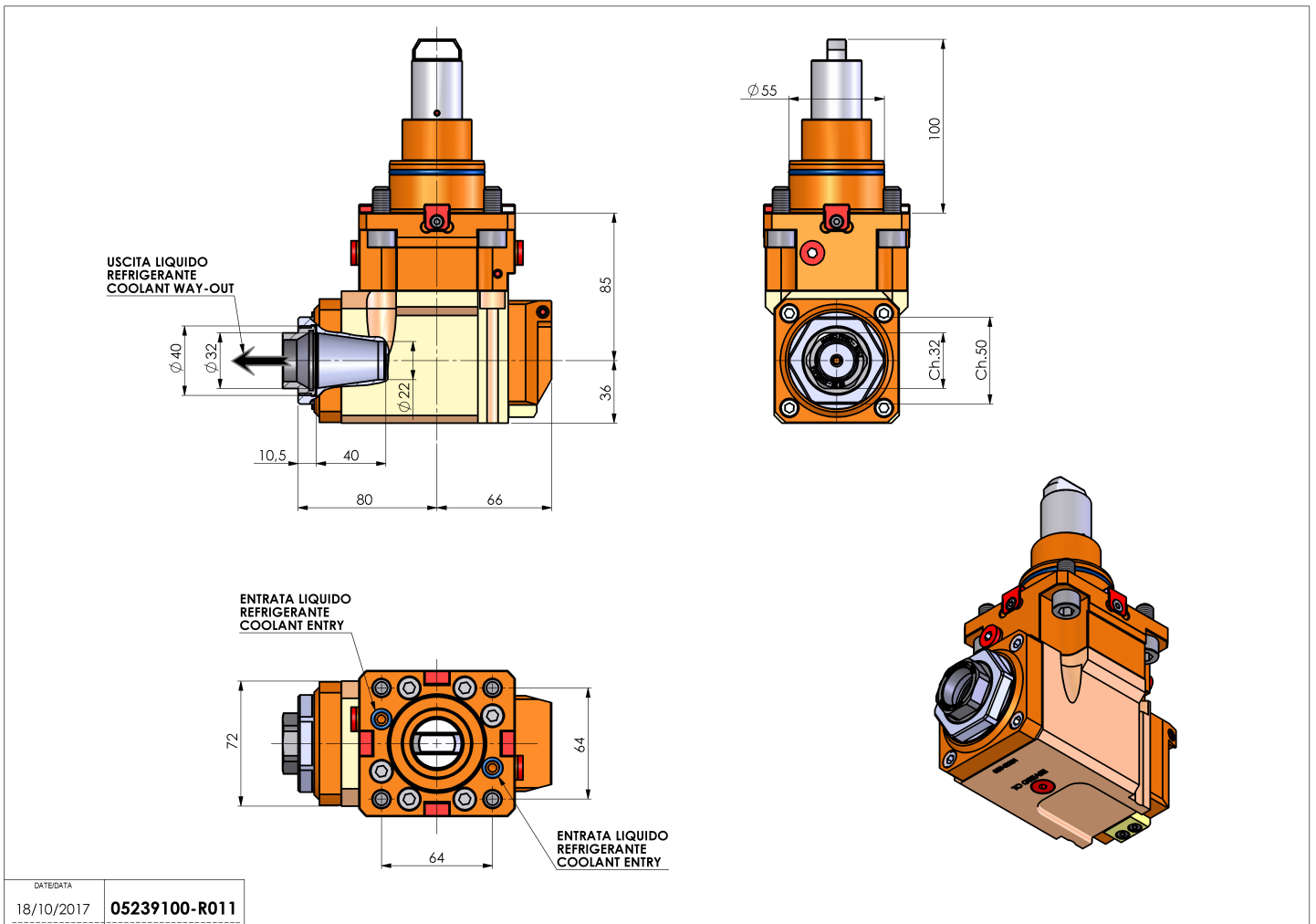


05239100 - LT-A BMT55EM4 ER32F LR HRF H85

Type	LT-A Tool holder angle 90°
Mounting	BMT 55 EM
Tool output	Collet nut ER 32 F - internal nut
Coolant	HP Internal coolant
Direction of rotation	r1 ↻ r2 ↻
Max speed [rpm]	6000
Max torque [Nm]	60
Ratio	1:1
H [mm]	85
H1 [mm]	36
Max pressure [bar]	80
Accessories	N.A.
Notes	N.A.
Mounting tips	Not suitable for every application, please check



Always check live tool dimensions on the turret



DATE/DATA	05239100-R011
18/10/2017	

Subject to technical changes