

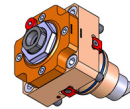
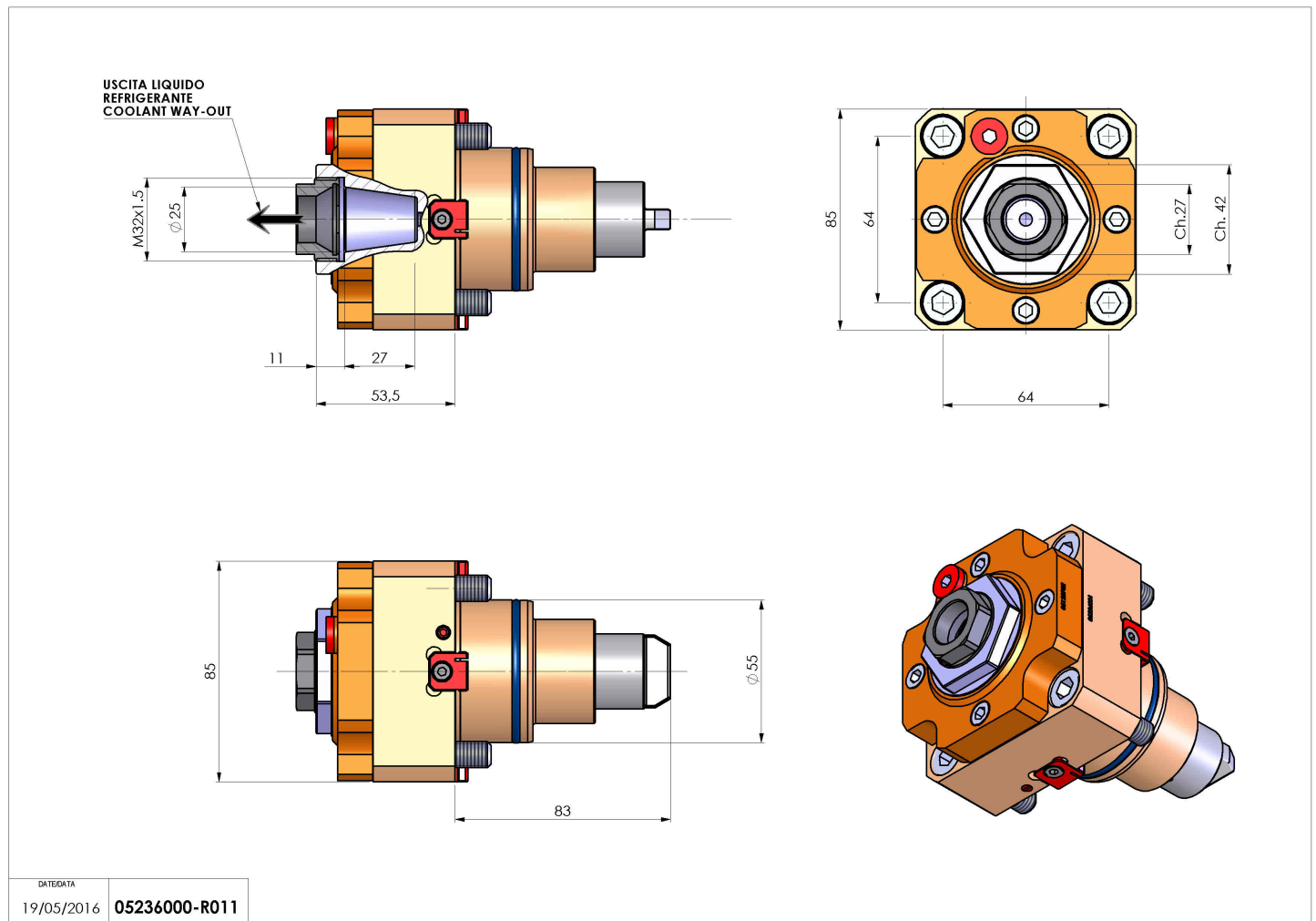


## 05236000 - LT-S BMT55EM BD ER25F RF H53

<b>Type</b>	LT-S Tool holder straight
<b>Mounting</b>	BMT 55 EM
<b>Tool output</b>	Collet nut ER 25 F - internal nut
<b>Coolant</b>	Internal coolant
<b>Direction of rotation</b>	r1  r2 
<b>Max speed [rpm]</b>	6000
<b>Max torque [Nm]</b>	60
<b>Ratio</b>	1:1
<b>H [mm]</b>	53
<b>Accessories</b>	N.A.
<b>Notes</b>	N.A.
<b>Mounting tips</b>	Not suitable for every application, please check



Always check live tool dimensions on the turret



DATE/DATE	05236000-R011
19/05/2016	

Subject to technical changes