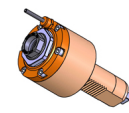


05231600 - LT-S VDI40 ER32F H74 EM

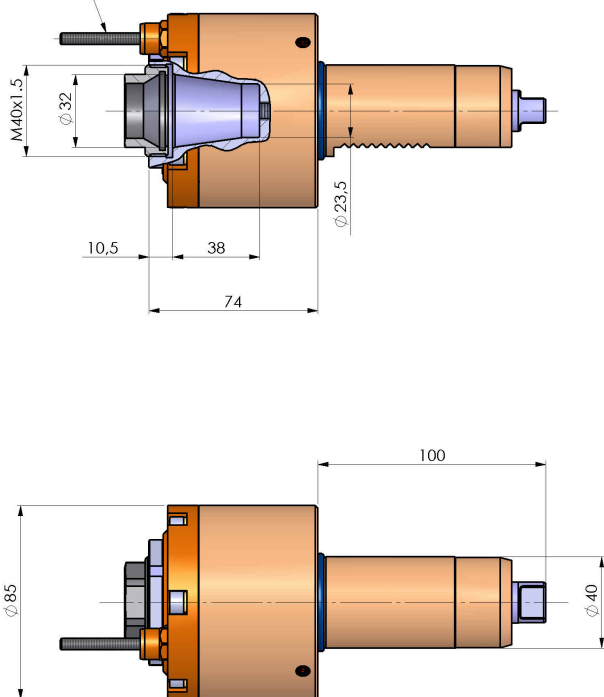
Type	LT-S Tool holder straight
Mounting	VDI 40
Tool output	Collet nut ER 32 F - internal nut
Coolant	External coolant
Direction of rotation	r1 r2
Max speed [rpm]	6000
Max torque [Nm]	63
Ratio	1:1
H [mm]	74
Accessories	
Notes	N.A.
Mounting tips	Not suitable for every application, please check



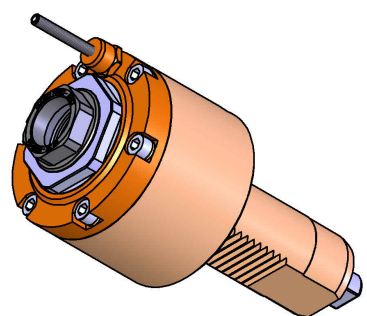
ATTENZIONE: VERIFICARE L'ORIENTAMENTO DELLA DENTATURA VDI

Always check live tool dimensions on the turret

**USCITA LIQUIDO
REFRIGERANTE
COOLANT WAY-OUT**



Dimensions shown in drawings:
 - Side view: M40x1.5, $\varnothing 32$, 10,5, 38, 74, $\varnothing 23.5$
 - Front view: Ch. 32, Ch. 50
 - Bottom view: $\varnothing 85$, 100, $\varnothing 40$



DATE/ATA
23/10/2015
05231600-R011

Subject to technical changes