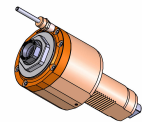


## 05230200 - LT-S VDI50 ER32F H95

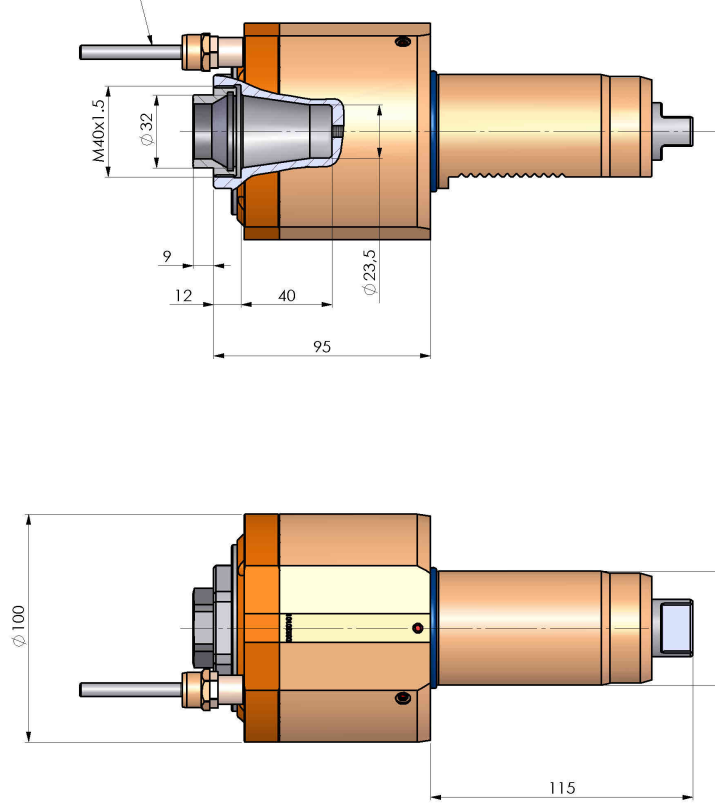
<b>Type</b>	LT-S Tool holder straight
<b>Mounting</b>	VDI 50
<b>Tool output</b>	Collet nut ER 32 F - internal nut
<b>Coolant</b>	External coolant
<b>Direction of rotation</b>	r1  r2
<b>Max speed [rpm]</b>	6000
<b>Max torque [Nm]</b>	100
<b>Ratio</b>	1:1
<b>H [mm]</b>	95
<b>Accessories</b>	N.A.
<b>Notes</b>	N.A.
<b>Mounting tips</b>	Not suitable for every application, please check



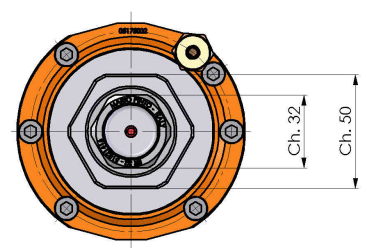
**ATTENZIONE: VERIFICARE L'ORIENTAMENTO DELLA DENTATURA VDI**

Always check live tool dimensions on the turret

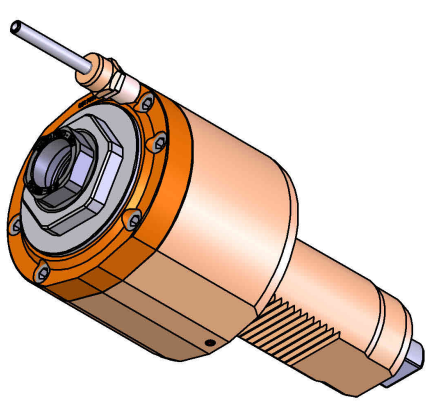
USCITA LIQUIDO REFRIGERANTE  
COOLANT WAY-OUT



Dimensions shown in drawings:  
 - Coolant way-out: M40x1.5  
 - Front diameter:  $\varnothing 32$   
 - Front offset: 9  
 - Front offset: 12  
 - Front offset: 40  
 - Front diameter:  $\varnothing 23.5$   
 - Total length: 95  
 - Side diameter:  $\varnothing 100$   
 - Total length: 115  
 - Side diameter:  $\varnothing 50$



Dimensions shown in top view:  
 - Coolant port offset: Ch. 32  
 - Total width: Ch. 50



DATE/GRA

28/02/2017

05230200-R011

**Subject to technical changes**