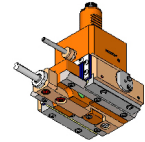


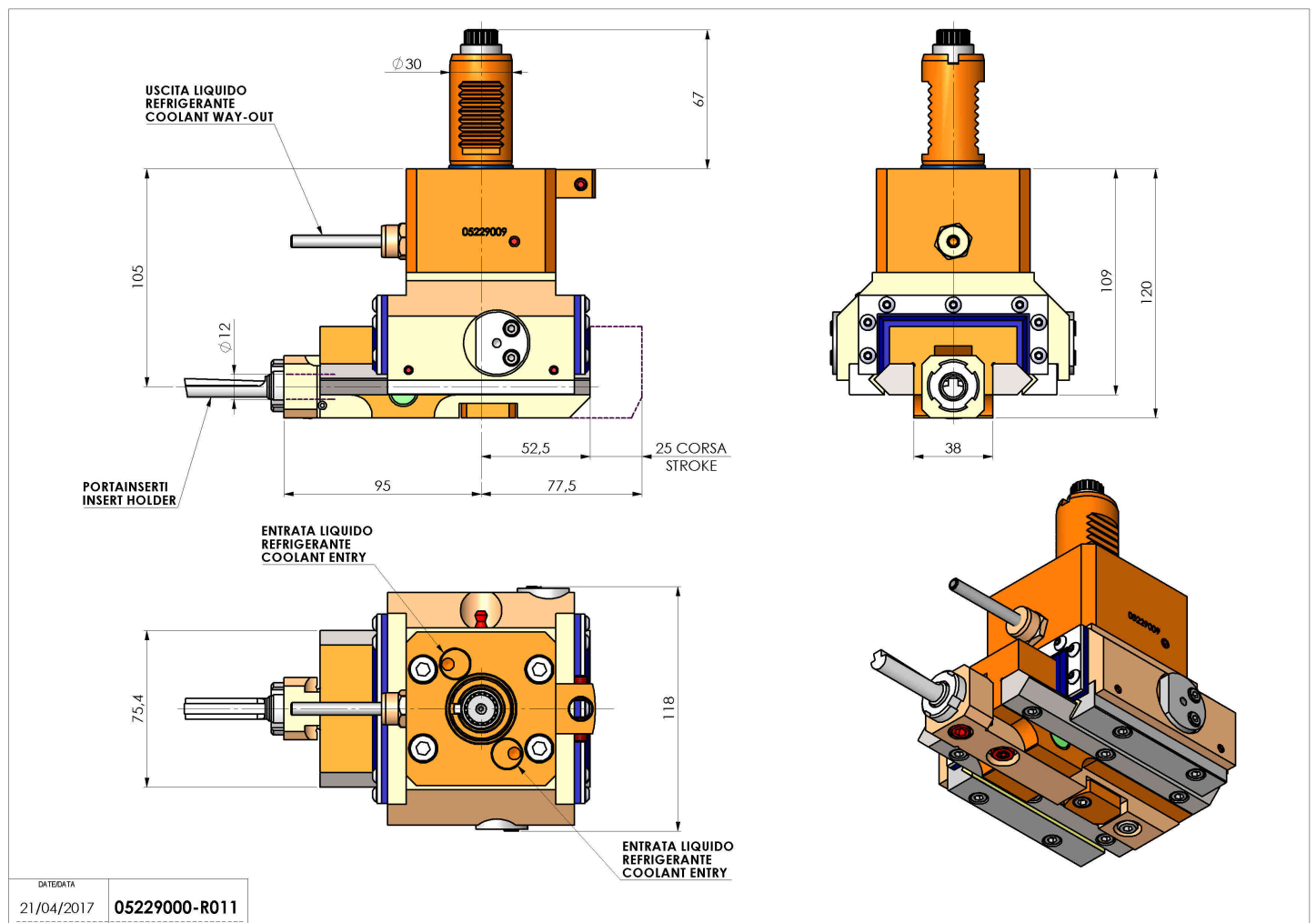
05229000 - LT-A ST25VDI30 C12AY H105 5480

Type	LT-A ST Slotting tool 90°
Mounting	VDI 30
Tool output	Tool diameter 12
Coolant	External coolant
Max speed [rpm]	700
Max torque [Nm]	17,5
Ratio	1:1
Y axis adjustment	SI
Feed pushing [N]	1000
Stroke [mm]	25
Work stroke [mm]	20
H [mm]	105
Accessories	N.A.
Notes	N.A.
Mounting tips	Not suitable for every application, please check



ATTENZIONE: VERIFICARE L'ORIENTAMENTO DELLA DENTATURA VDI

Always check live tool dimensions on the turret



DATEGATA
21/04/2017 **05229000-R011**

Subject to technical changes