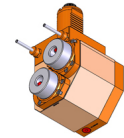


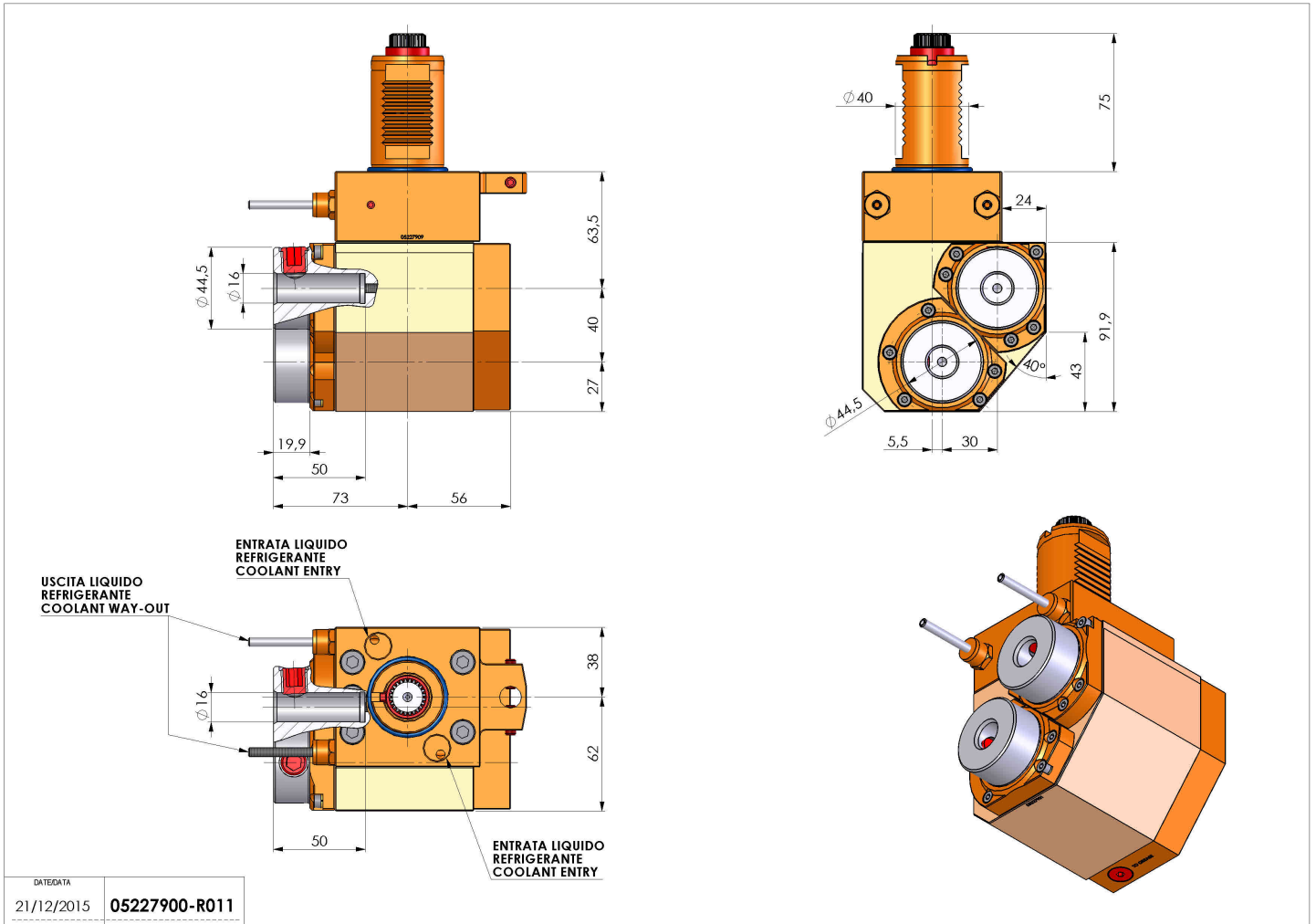
05227900 - LT-A2 VDI40 W-16 1:1 5480SA

Type	LT-A2 H Tool holder angle 90° double horizontal
Mounting	VDI 40
Tool output	Weldon 16 DIN1835B
Coolant	External coolant
Direction of rotation	r1 r2
Max speed [rpm]	3000
Ratio	1:1
H [mm]	63,5-103,5
H1 [mm]	27
Accessories	N.A.
Notes	N.A.
Mounting tips	Not suitable for every application, please check



ATTENZIONE: VERIFICARE L'ORIENTAMENTO DELLA DENTATURA VDI

Always check live tool dimensions on the turret



DATE/DATE
21/12/2015 **05227900-R011**

Subject to technical changes