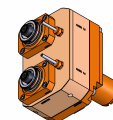


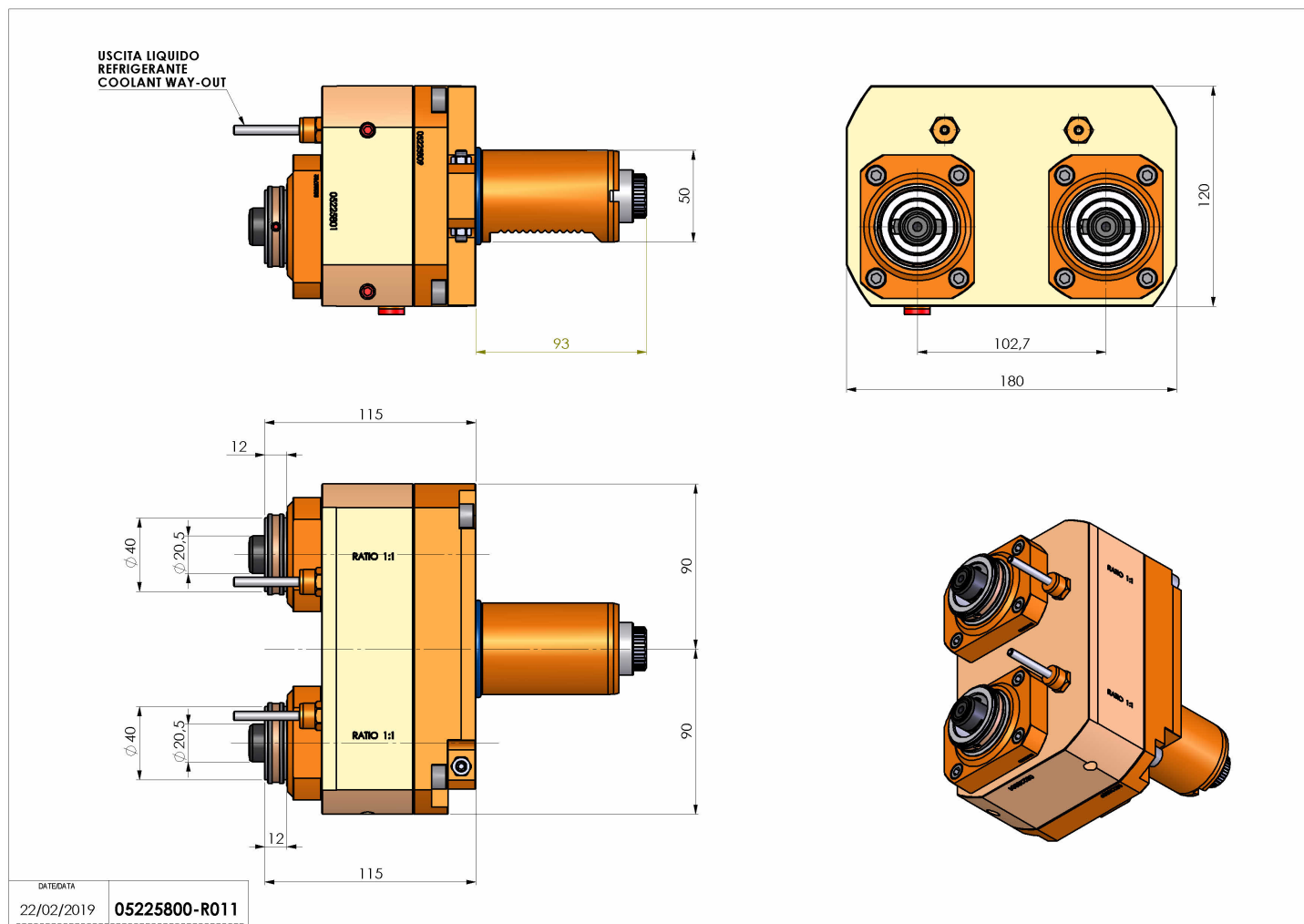
05225800 - LT-S2R VDI50HSK40 I102-16 H115

| | |
|------------------------------|--|
| Type | LT-S2 Tool holder double straight |
| Mounting | VDI 50 |
| Tool output | Quick Change HSK40 |
| Coolant | External coolant |
| Direction of rotation | r1 ↻ r2 ↻ r3 ↻ |
| Max speed [rpm] | 6000 |
| Max torque [Nm] | 80 |
| Ratio | 1:1 |
| H [mm] | 115 |
| Accessories | N.A. |
| Notes | N.A. |
| Mounting tips | Not suitable for every application, please check |



ATTENZIONE: VERIFICARE L'ORIENTAMENTO DELLA DENTATURA VDI

Always check live tool dimensions on the turret



Subject to technical changes