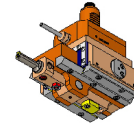


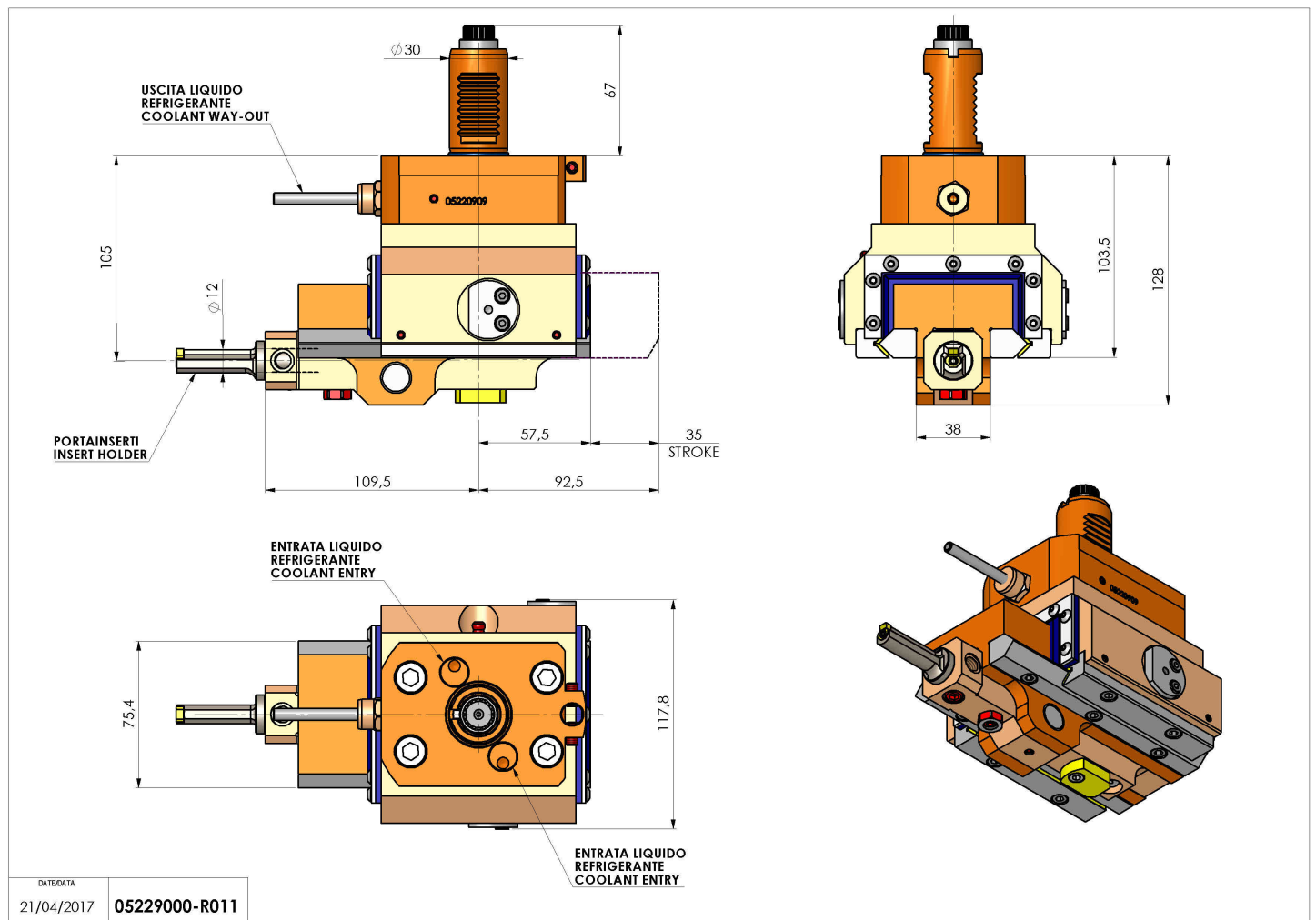
# 05220900 - LT-A ST35VDI30 C12 H105 5480SA

Type	LT-A ST Slotting tool 90°
Mounting	VDI 30
Tool output	Tool diameter 12
Coolant	External coolant
Max speed [rpm]	700
Max torque [Nm]	17,5
Ratio	1:1
Y axis adjustment	NO
Stroke [mm]	35
Work stroke [mm]	30
H [mm]	105
Accessories	N.A.
Notes	N.A.
Mounting tips	Not suitable for every application, please check



**ATTENZIONE: VERIFICARE L'ORIENTAMENTO DELLA DENTATURA VDI**

Always check live tool dimensions on the turret



Subject to technical changes