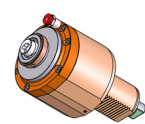


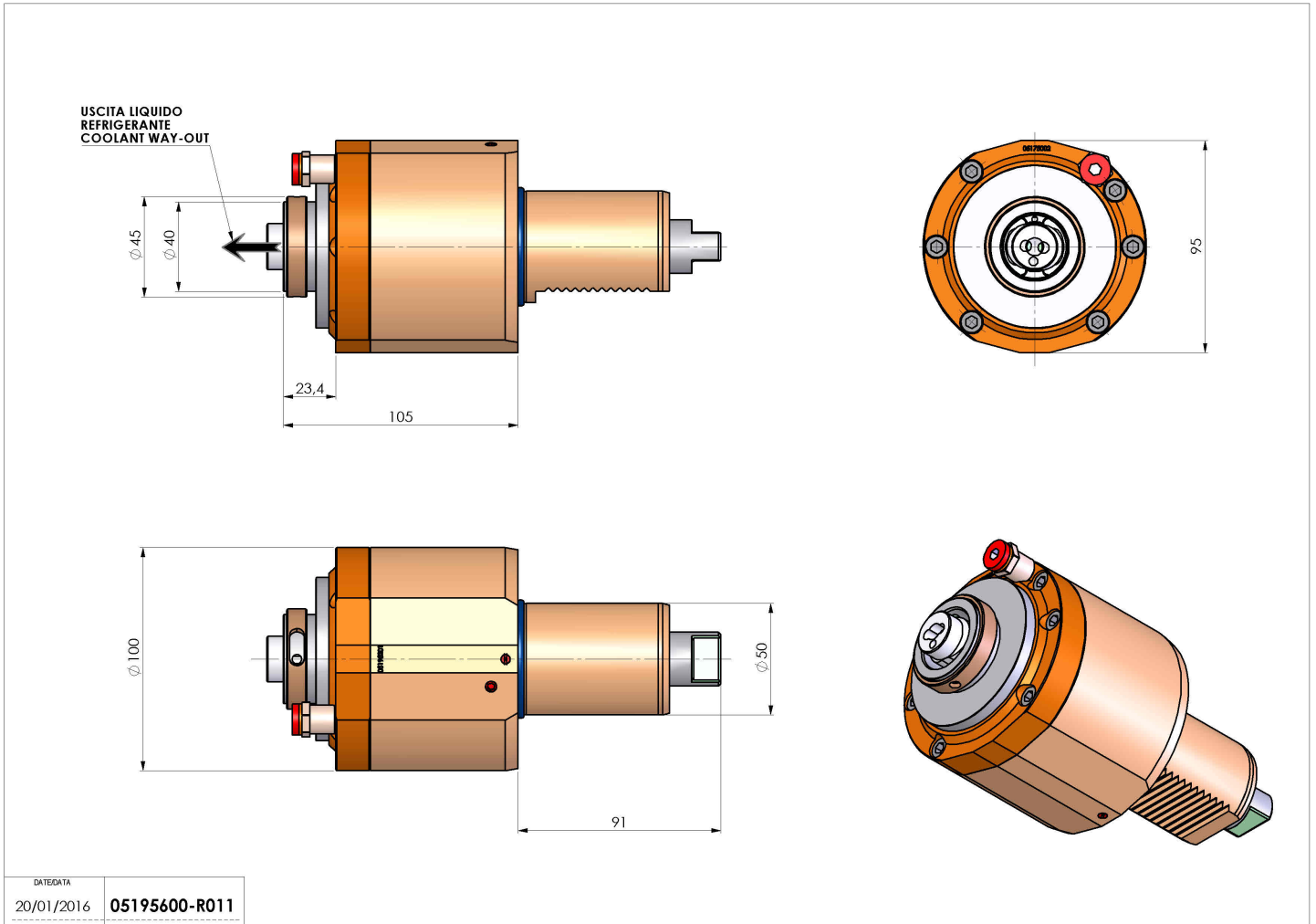
05195600 - LT-S VDI50 HSK40RF H105 1809DP

Type	LT-S Tool holder straight
Mounting	VDI 50
Tool output	Quick Change HSK40
Coolant	Internal coolant
Direction of rotation	r1 r2
Max speed [rpm]	6000
Max torque [Nm]	120
Ratio	1:1
H [mm]	105
Accessories	
Notes	N.A.
Mounting tips	Not suitable for every application, please check



ATTENZIONE: VERIFICARE L'ORIENTAMENTO DELLA DENTATURA VDI

Always check live tool dimensions on the turret



DATE/DATE	20/01/2016	05195600-R011
-----------	------------	---------------

Subject to technical changes