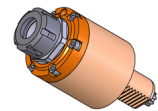


05182600 - LT-S VDI30 ER25RF H102 DIN5482

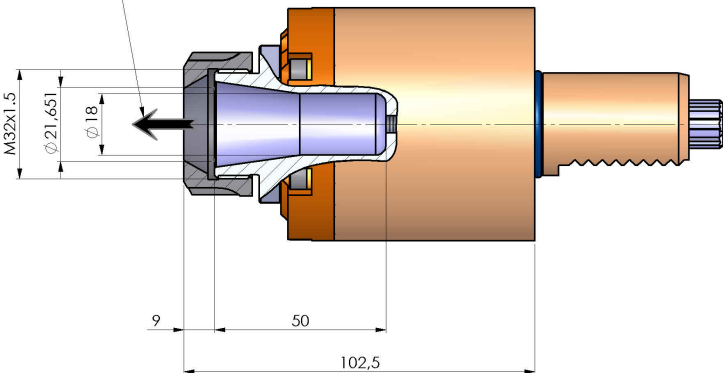
Type	LT-S Tool holder straight
Mounting	VDI 30
Tool output	Collet nut ER 25
Coolant	Internal coolant
Direction of rotation	r1 r2
Max speed [rpm]	6000
Max torque [Nm]	40
Ratio	1:1
H [mm]	102,5
Accessories	
Notes	N.A.
Mounting tips	Not suitable for every application, please check

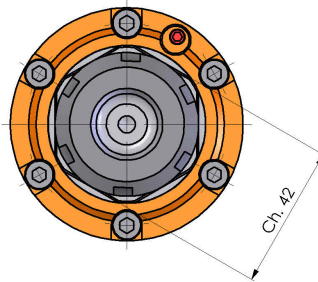


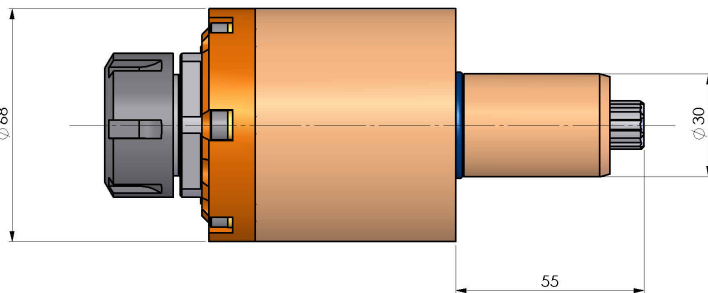
ATTENZIONE: VERIFICARE L'ORIENTAMENTO DELLA DENTATURA VDI

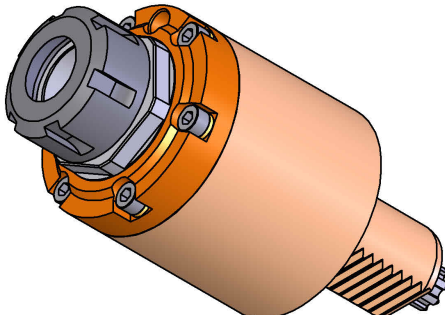
Always check live tool dimensions on the turret

USCITA LIQUIDO REFRIGERANTE COOLANT WAY-OUT









DATE/DATE

04/11/2015

05182600-R011

Subject to technical changes