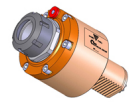


## 05180300 - LT-S VDI40 ER32 RFH99 DIN5482

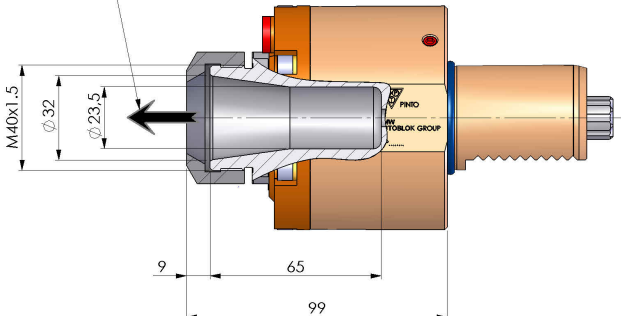
<b>Type</b>	LT-S Tool holder straight
<b>Mounting</b>	VDI 40
<b>Tool output</b>	Collet nut ER 32
<b>Coolant</b>	Internal coolant
<b>Direction of rotation</b>	r1  r2
<b>Max speed [rpm]</b>	6000
<b>Max torque [Nm]</b>	63
<b>Ratio</b>	1:1
<b>H [mm]</b>	99
<b>Accessories</b>	
<b>Notes</b>	N.A.
<b>Mounting tips</b>	Not suitable for every application, please check

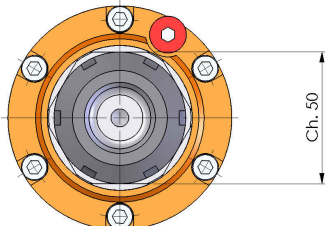


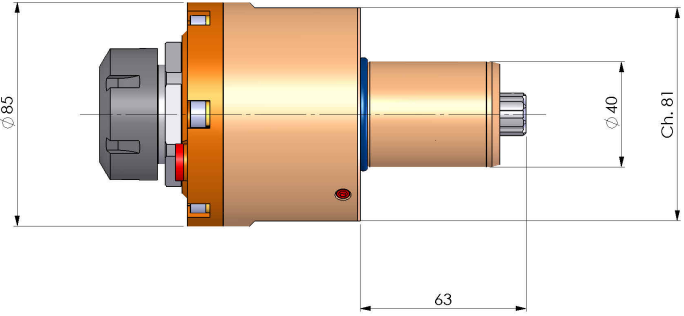
**ATTENZIONE: VERIFICARE L'ORIENTAMENTO DELLA DENTATURA VDI**

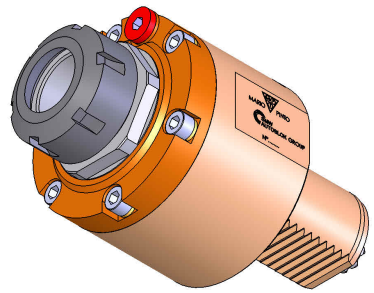
Always check live tool dimensions on the turret

**USCITA LIQUIDO REFRIGERANTE COOLANT WAY-OUT**









DATE/DATE

03/11/2015

05180300-R011

**Subject to technical changes**