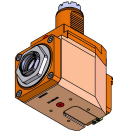


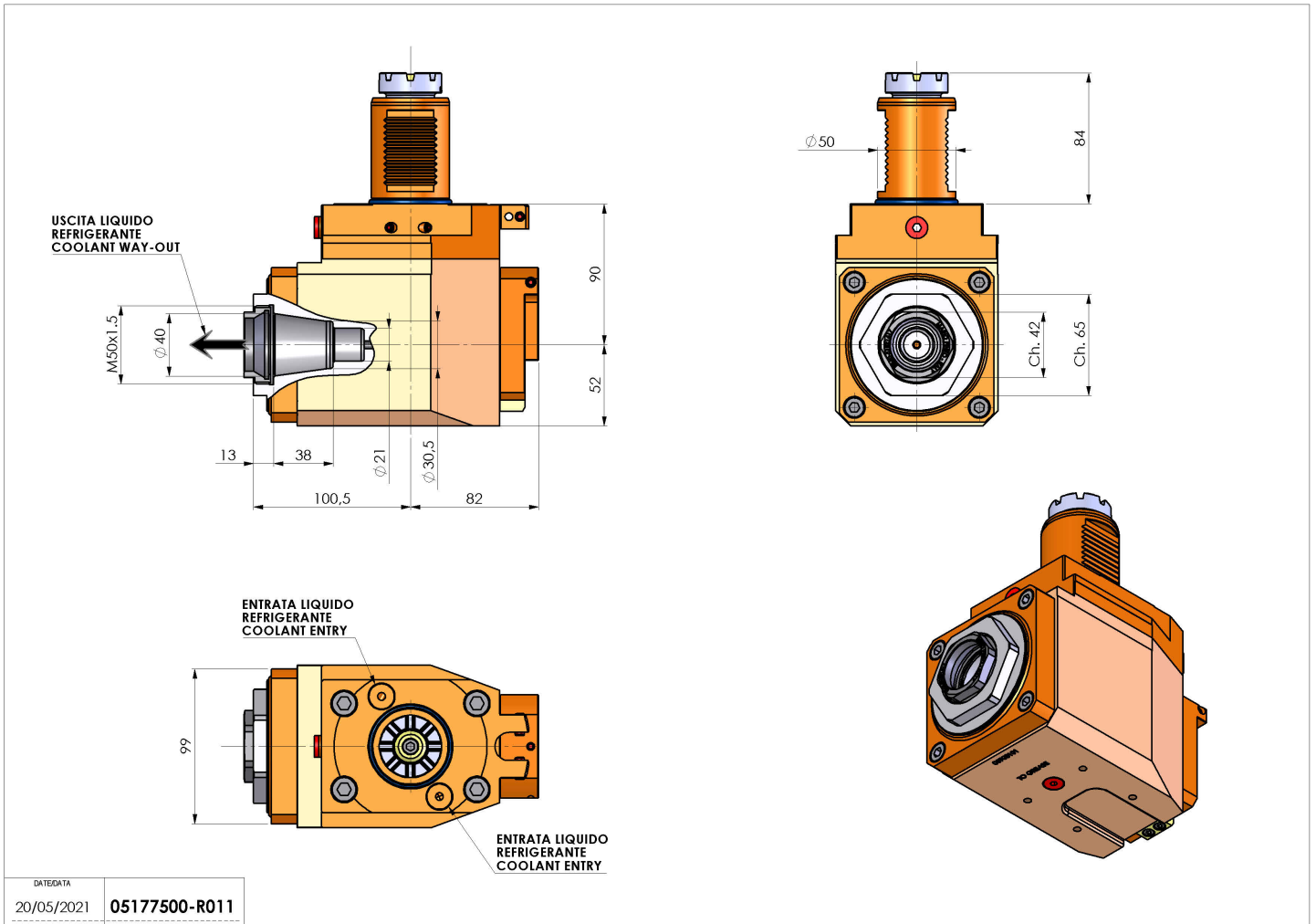
05177500 - LT-A VDI50 ER40F 2:1 HRF H90

| | |
|------------------------------|--|
| Type | LT-A Tool holder angle 90° |
| Mounting | VDI 50 |
| Tool output | Collet nut ER 40 F - internal nut |
| Coolant | HP Internal coolant |
| Direction of rotation | r1 ↻ r2 ↻ |
| Max speed [rpm] | in 6000 / out 3000 |
| Max torque [Nm] | in 100 / out 200 |
| Ratio | 2:1 |
| H [mm] | 90 |
| H1 [mm] | 52 |
| Max pressure [bar] | 80 |
| Accessories | N.A. |
| Notes | N.A. |
| Mounting tips | Not suitable for every application, please check |



ATTENZIONE: VERIFICARE L'ORIENTAMENTO DELLA DENTATURA VDI

Always check live tool dimensions on the turret



DATE/DATE: 20/05/2021
05177500-R011

Subject to technical changes