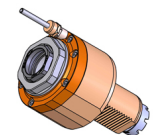


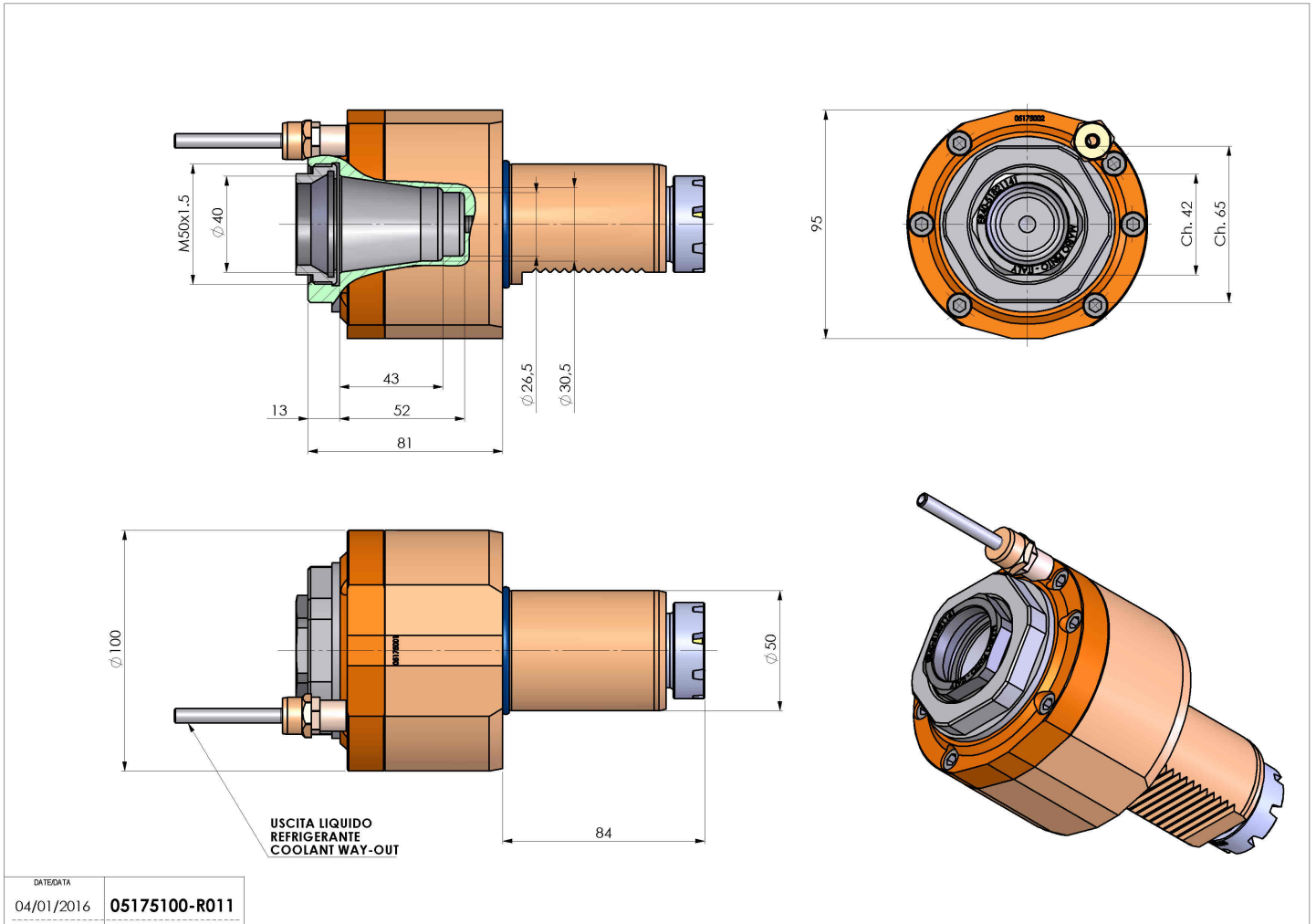
05175100 - LT-S VDI50 ER40F H81 BA

Type	LT-S Tool holder straight
Mounting	VDI 50
Tool output	Collet nut ER 40 F - internal nut
Coolant	External coolant
Direction of rotation	r1 r2
Max speed [rpm]	6000
Max torque [Nm]	120
Ratio	1:1
H [mm]	81
Accessories	
Notes	N.A.
Mounting tips	Not suitable for every application, please check



ATTENZIONE: VERIFICARE L'ORIENTAMENTO DELLA DENTATURA VDI

Always check live tool dimensions on the turret



DATE/DATE	04/01/2016
PART NUMBER	05175100-R011

Subject to technical changes