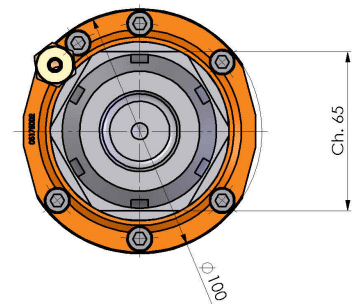
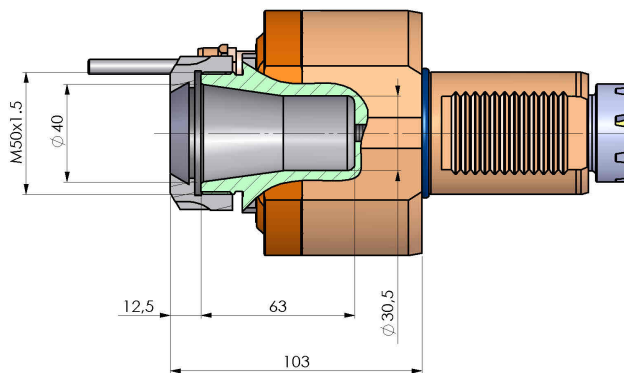
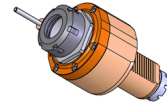


05175000 - LT-S VDI50 ER40 H90 BA

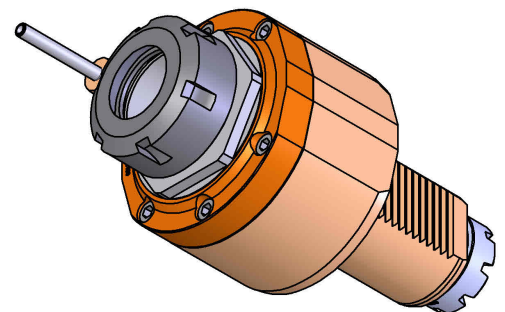
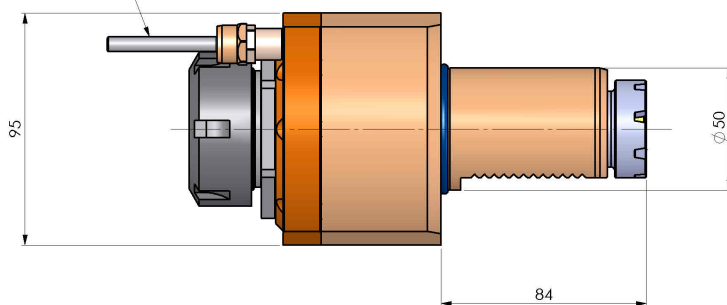
Type	LT-S Tool holder straight
Mounting	VDI 50
Tool output	Collet nut ER 40
Coolant	External coolant
Direction of rotation	r1 ↻ r2 ↻
Max speed [rpm]	6000
Max torque [Nm]	120
Ratio	1:1
H [mm]	90,5
Accessories	
Notes	N.A.
Mounting tips	Not suitable for every application, please check

ATTENZIONE: VERIFICARE L'ORIENTAMENTO DELLA DENTATURA VDI

Always check live tool dimensions on the turret



USCITA LIQUIDO
REFRIGERANTE
COOLANT WAY-OUT



DATE/DATE
04/01/2016 **05175000-R011**

Subject to technical changes