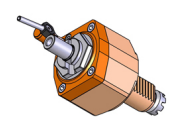


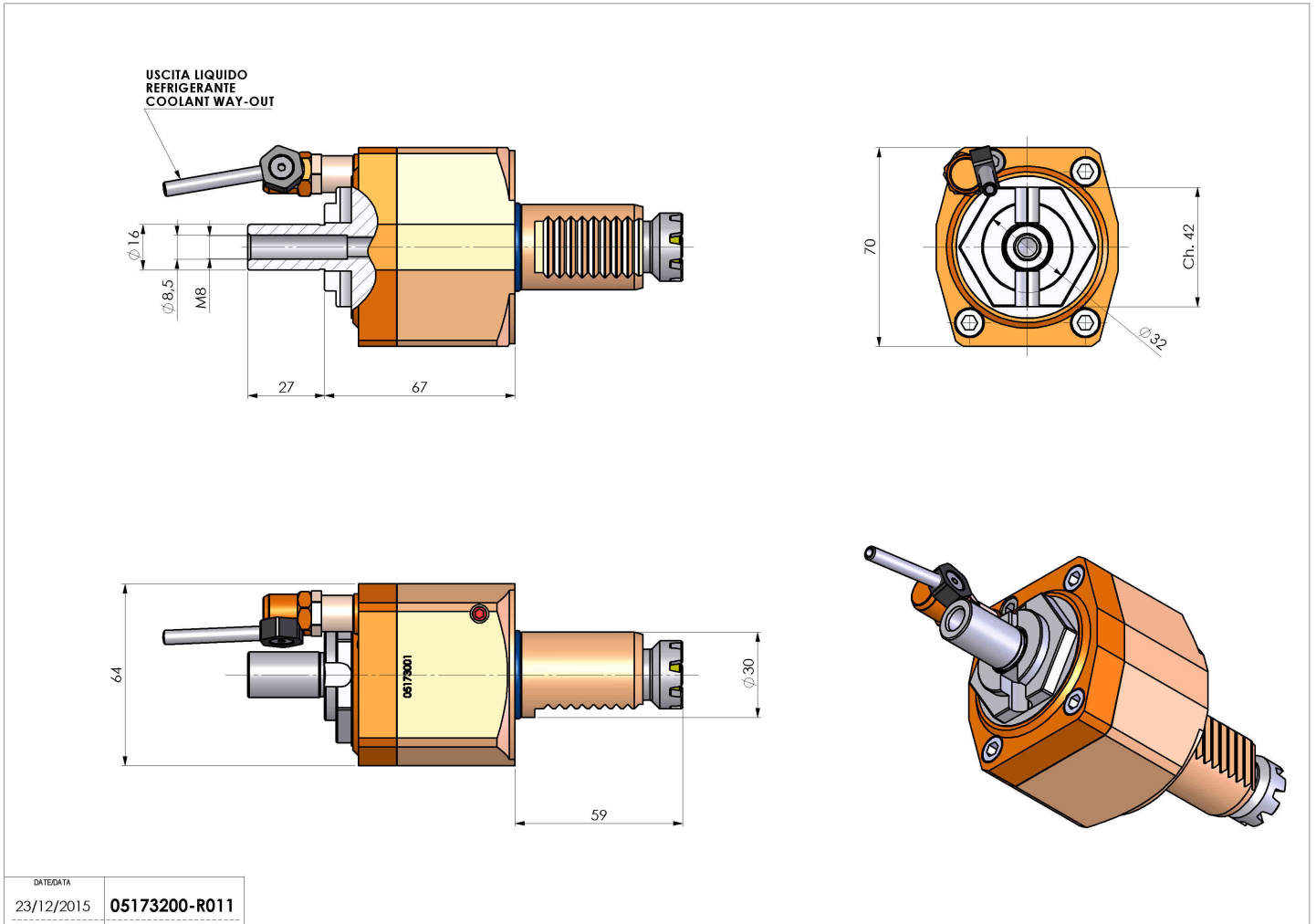
05173200 - LT-S VDI30 DIN138-16 H67 BA

Type	LT-S Tool holder straight
Mounting	VDI 30
Tool output	Shell-Mill DIN138 16
Coolant	External coolant
Direction of rotation	r1 r2
Max speed [rpm]	6000
Max torque [Nm]	30
Ratio	1:1
H [mm]	67
Accessories	
Notes	Cannot be mounted near an offset angular
Mounting tips	Not suitable for every application, please check



ATTENZIONE: VERIFICARE L'ORIENTAMENTO DELLA DENTATURA VDI

Always check live tool dimensions on the turret



DATE/GATA	23/12/2015
PART NUMBER	05173200-R011

Subject to technical changes