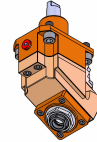
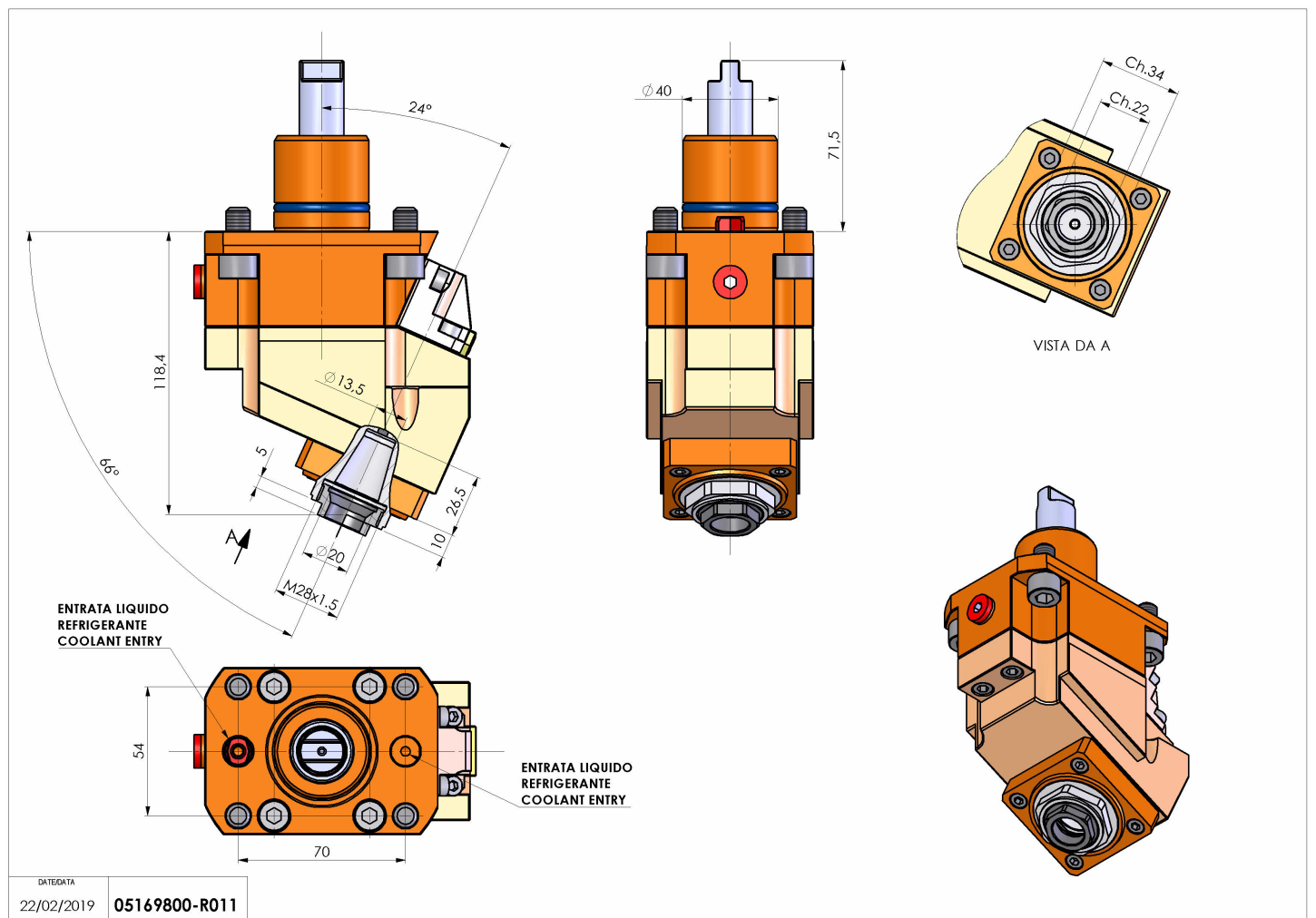


05169800 - LT-A66 D40 ER20F LR1:2HRF H118

| | |
|------------------------------|--|
| Type | LT-A(a) Tool holder with fix angle (alpha) |
| Mounting | CYLINDRICAL SHANK 40 |
| Tool output | Collet nut ER 20 F - internal nut |
| Coolant | HP Internal coolant |
| Direction of rotation | r1 ↻ r2 ↻ |
| Max speed [rpm] | in 4500 / out 9000 |
| Max torque [Nm] | in 50 / out 25 |
| Ratio | 1:2 |
| H [mm] | 118 |
| H1 [mm] | 127.5 |
| Max pressure [bar] | 80 |
| Accessories | N.A. |
| Notes | N.A. |
| Mounting tips | Not suitable for every application, please check |



Always check live tool dimensions on the turret



Subject to technical changes

DATE/DATE
22/02/2019 05169800-R011