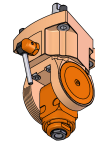
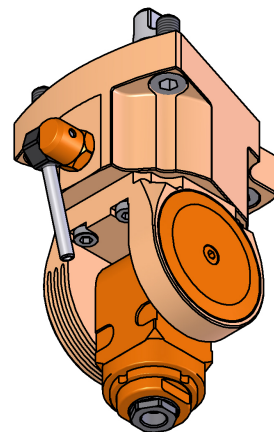
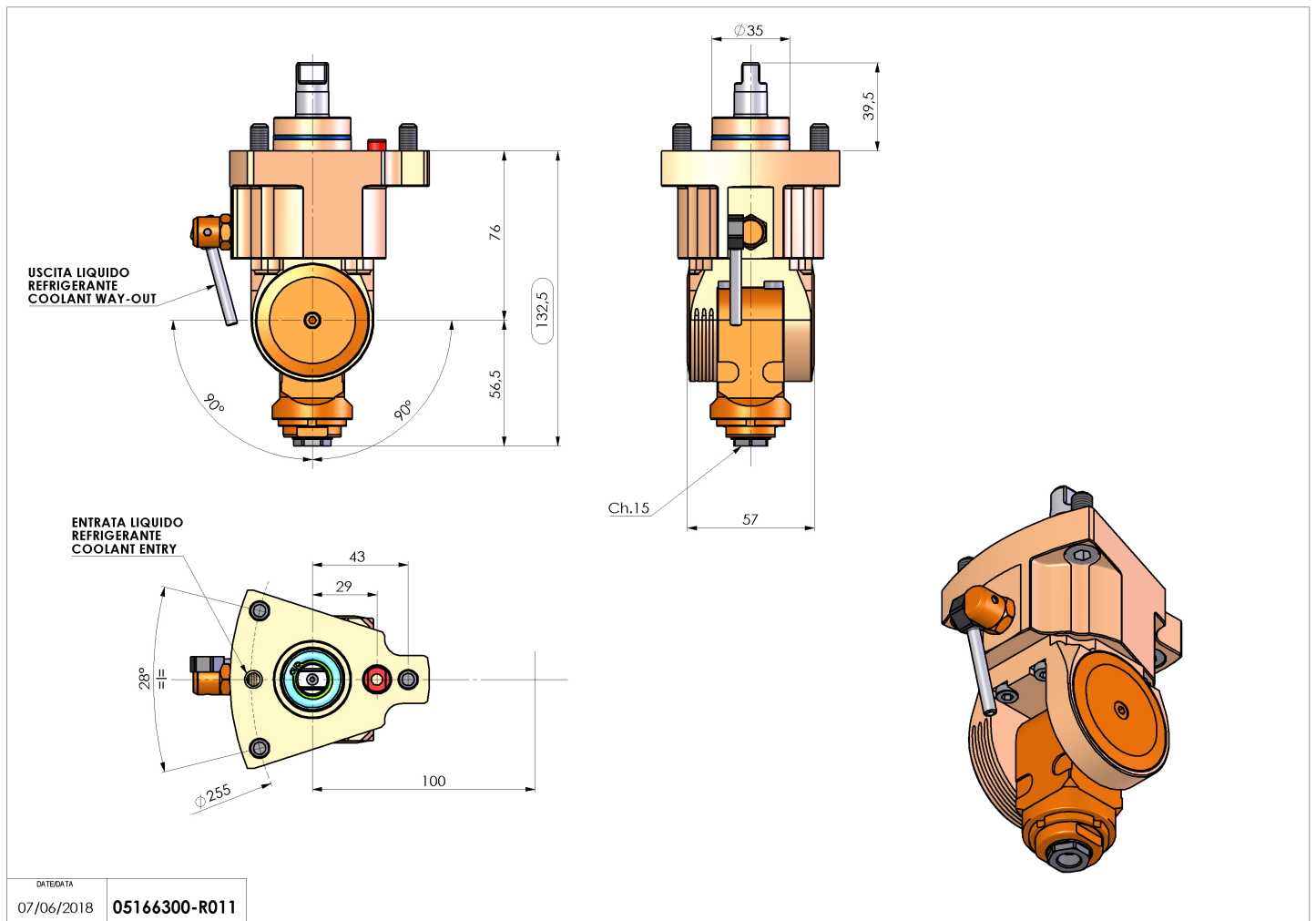


05166300 - LT-T D35 ER11F H76-134

Type	LT-T Tool holder tiltable
Mounting	CYLINDRICAL SHANK 35
Tool output	Collet nut ER 11 F
Coolant	External coolant
Direction of rotation	r1 r2
Max speed [rpm]	6000
Max torque [Nm]	5
Ratio	1:1
H [mm]	76-134
Accessories	N.A.
Notes	N.A.
Mounting tips	Not suitable for every application, please check



Always check live tool dimensions on the turret



Subject to technical changes

DATE/DATE	
07/06/2018	05166300-R011