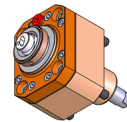
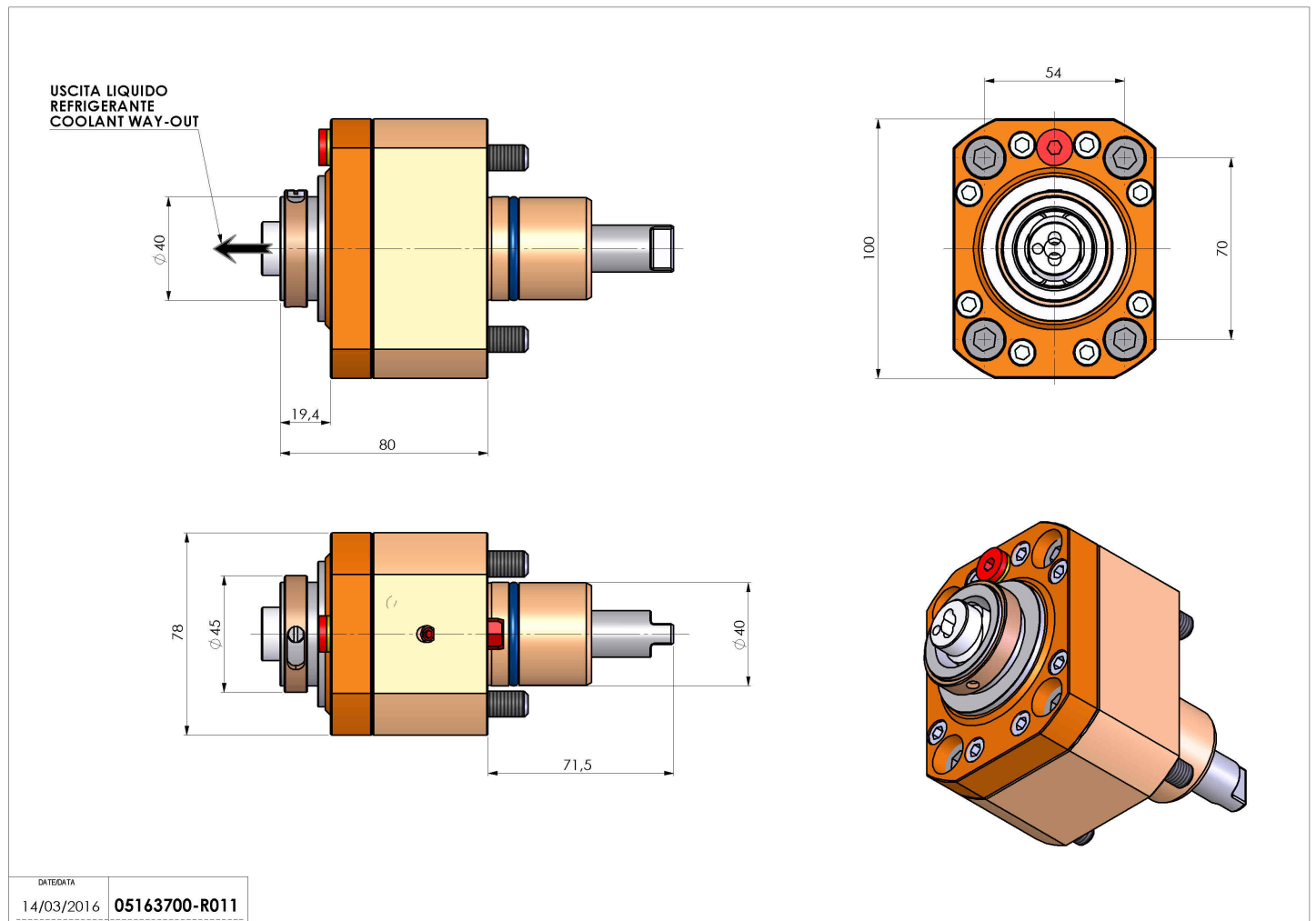


05163700 - LT-S D40 HSK40 RF H80 MU

Type	LT-S Tool holder straight
Mounting	CYLINDRICAL SHANK 40
Tool output	Quick Change HSK40
Coolant	Internal coolant
Direction of rotation	r1 ↻ r2 ↻
Max speed [rpm]	6000
Max torque [Nm]	40
Ratio	1:1
H [mm]	80
Accessories	
Notes	N.A.
Mounting tips	Not suitable for every application, please check



Always check live tool dimensions on the turret



DATE/DATE	05163700-R011
14/03/2016	

Subject to technical changes