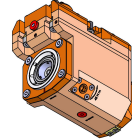
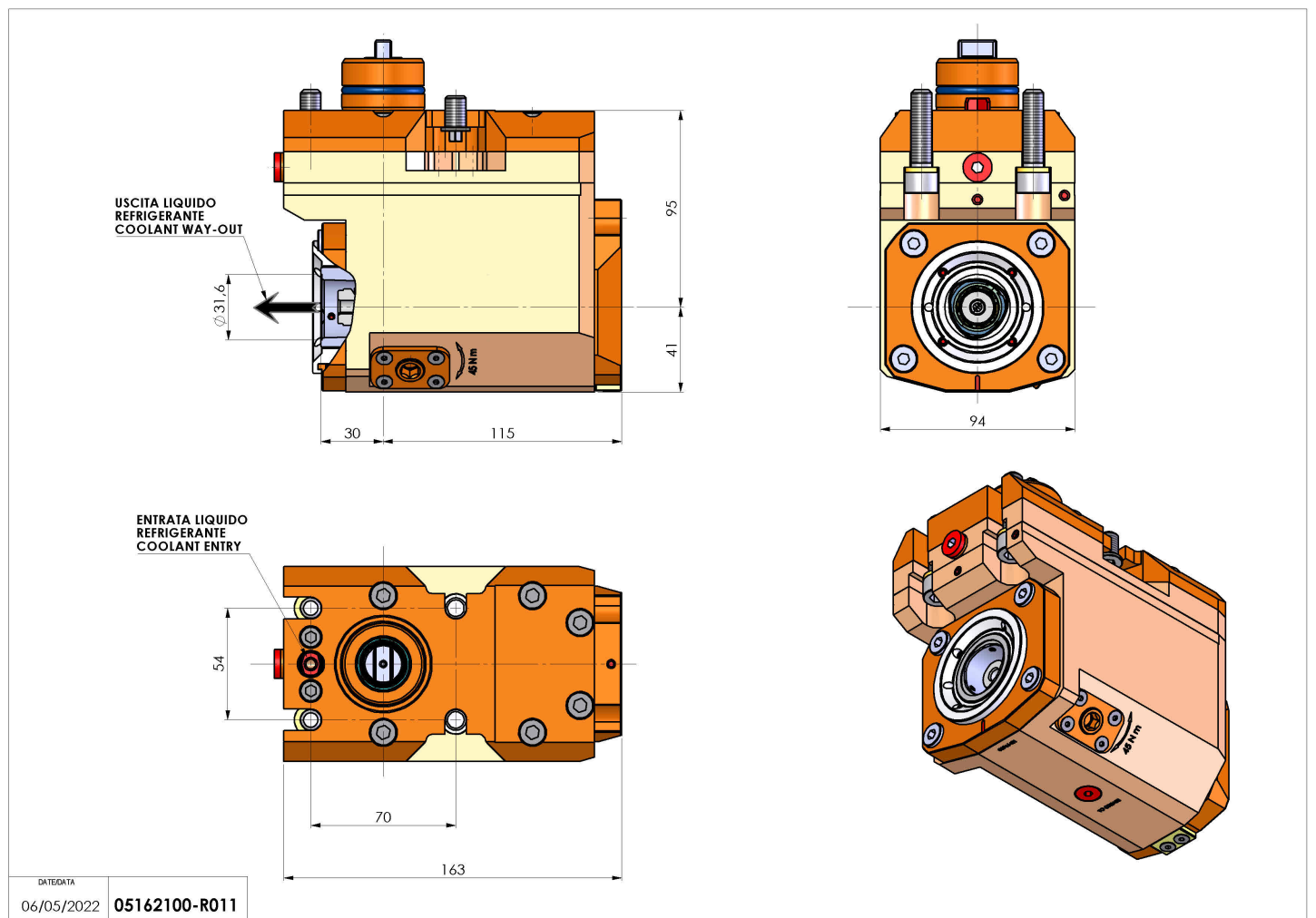


# 05162100 - LT-A D40 C40 OFS-30 HRF H95

<b>Type</b>	LT-A OFS Tool holder offset angle 90°
<b>Mounting</b>	CYLINDRICAL SHANK 40
<b>Tool output</b>	Polygonal shank C40 ISO 26623-1
<b>Coolant</b>	HP Internal coolant
<b>Offset [mm]</b>	30
<b>Direction of rotation</b>	r1 ↻ r2 ↻
<b>Max speed [rpm]</b>	6000
<b>Max torque [Nm]</b>	50
<b>Ratio</b>	1:1
<b>H [mm]</b>	95
<b>H1 [mm]</b>	41
<b>Max pressure [bar]</b>	80
<b>Accessories</b>	N.A.
<b>Notes</b>	N.A.
<b>Mounting tips</b>	Not suitable for every application, please check



Always check live tool dimensions on the turret



Subject to technical changes