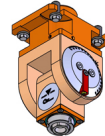
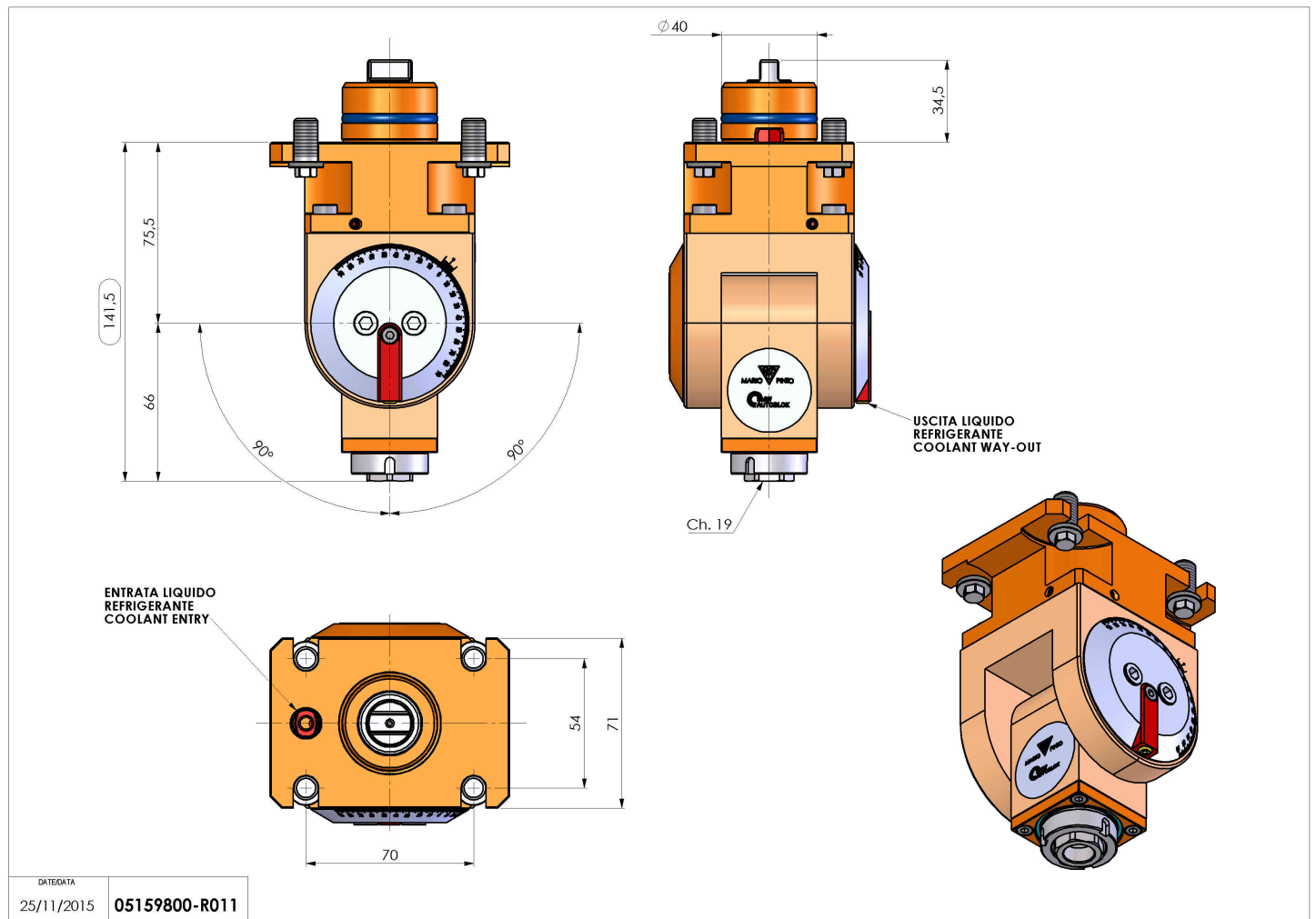


05159800 - LT-T D40 ER16F H76-145 MU

| | |
|------------------------------|--|
| Type | LT-T Tool holder tiltable |
| Mounting | CYLINDRICAL SHANK 40 |
| Tool output | Collet nut ER 16 F - internal nut |
| Coolant | External coolant |
| Direction of rotation | r1 r2 |
| Max speed [rpm] | 6000 |
| Max torque [Nm] | 10 |
| Ratio | 1:1 |
| H [mm] | 76-145 |
| Accessories | N.A. |
| Notes | N.A. |
| Mounting tips | Not suitable for every application, please check |



Always check live tool dimensions on the turret



| | |
|-------------|---------------|
| DATE/DATE | 25/11/2015 |
| PART NUMBER | 05159800-R011 |

Subject to technical changes